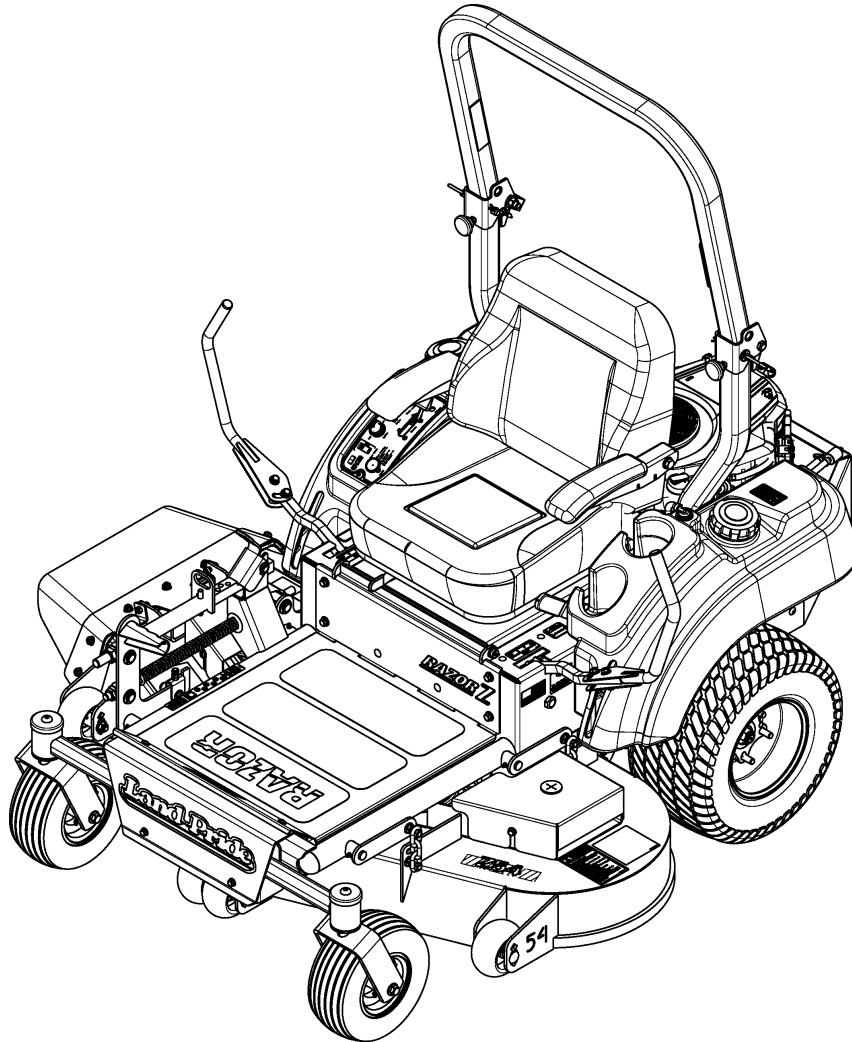


# Zero Turn Mowers

## Z48 & Z54 Accu-Z Razor®



27790

### **357-344P** **Parts Manual**



Read the Operator's manual entirely. When you see this symbol, the subsequent instructions and warnings are serious - follow without exception. Your life and the lives of others depend on it!

© Copyright 2013 Printed 03/14/14

Cover photo may show optional equipment not supplied with standard unit.





# Table of Contents

---

<b>Section 1: Introduction.....</b>	<b>4</b>
Using This Manual.....	4
Manual Replacement Information.....	4
Manual Revisions.....	4
Touch-up Paint.....	4
Hardware Legend.....	5
Replacement Hardware.....	5
Serial Numbers.....	5
Part Number Service Coding.....	5
<b>Section 2: Main Frame, Seat &amp; Bumper.....</b>	<b>6</b>
Frame & Bumper S/N 664678-.....	6
Frame & Bumper S/N 664679+.....	8
Rops Folding W/ Seat Belt.....	10
Seat & Footrest S/N 637189-.....	12
Seat & Footrest S/N 637190+.....	14
<b>Section 3: Electrical, Levers &amp; Transmission.....</b>	<b>16</b>
Brake Park.....	16
Control Levers.....	18
Deck Lift.....	20
Electrical Components.....	22
Electrical Wiring Schematic Briggs Engine.....	24
Electrical Wiring Schematic Kawasaki Engine.....	26
Electrical Wiring Schematic Main Harness.....	28
Transmission Components (831-069C & 831-070C).....	30
Transmission to Frame Assembly.....	32
<b>Section 4: Engine &amp; Fuel System.....</b>	<b>34</b>
Engine Assembly Briggs & Stratton 22 HP.....	34
Engine Assembly Briggs & Stratton 26 HP.....	36
Engine Assembly Kawasaki 18.5HP.....	38
Engine Assembly Kawasaki 23 HP.....	40
Fuel System S/N 672163-.....	42
Fuel System S/N 672164+.....	44
<b>Section 5: Wheels.....</b>	<b>46</b>
Drive Wheels.....	46
Front Non-Floating Wheels.....	48
<b>Section 6: Deck.....</b>	<b>50</b>
Deck Assembly.....	50
Deck Pulleys & Drive Belt.....	52
<b>Section 7: Labels.....</b>	<b>54</b>
Label Placement.....	54
<b>Section 8: Accessories.....</b>	<b>56</b>
Deck Lift Electric.....	56
Light Kit Z-Mowers.....	58
Mulch Kit.....	60
Soft Top Canopy.....	62
<b>Part Number Index.....</b>	<b>64</b>

© Copyright 2013. All rights reserved.

Land Pride provides this publication “as is” without warranty of any kind, either expressed or implied. While every precaution has been taken in the preparation of this manual, Land Pride assumes no responsibility for errors or omissions. Neither is any liability assumed for damages resulting from the use of the information contained herein. Land Pride reserves the right to revise and improve its products as it sees fit. This publication describes the state of this product at the time of its publication, and may not reflect the product in the future. The illustrations in this manual are not intended for safe and proper assembly or disassembly of equipment. The illustrations are intended for ordering parts only.

Land Pride is registered trademark.

All other brands and product names are trademarks or registered trademarks of their respective holders.

*Printed in the United States of America.*



# Alphabetized Table of Contents

---

<b>B</b>	
Brake Park.....	16
<b>C</b>	
Control Levers.....	18
<b>D</b>	
Deck Assembly.....	50
Deck Lift.....	20
Deck Lift Electric.....	56
Deck Pulleys & Drive Belt.....	52
Drive Wheels.....	46
<b>E</b>	
Electrical Components.....	22
Electrical Wiring Schematic Briggs Engine.....	24
Electrical Wiring Schematic Kawasaki Engine.....	26
Electrical Wiring Schematic Main Harness.....	28
Engine Assembly Briggs & Stratton 22 HP.....	34
Engine Assembly Briggs & Stratton 26 HP.....	36
Engine Assembly Kawasaki 18.5HP.....	38
Engine Assembly Kawasaki 23 HP.....	40
<b>F</b>	
Frame & Bumper S/N 664678-.....	6
Frame & Bumper S/N 664679+.....	8
Front Non-Floating Wheels.....	48
Fuel System S/N 672163-.....	42
Fuel System S/N 672164+.....	44
<b>L</b>	
Label Placement.....	54
Light Kit Z-Mowers.....	58
<b>M</b>	
Mulch Kit.....	60
<b>R</b>	
Rops Folding W/ Seat Belt.....	10
<b>S</b>	
Seat & Footrest S/N 637189-.....	12
Seat & Footrest S/N 637190+.....	14
Soft Top Canopy.....	62
<b>T</b>	
Transmission Components (831-069C & 831-070C).....	30
Transmission to Frame Assembly.....	32

# General Information

## Using This Manual

This manual is divided into sections. The first section contains General Information. The remaining sections divide the machine into segments (i.e. Frames, Drives, Hydraulics, etc.) which illustrate and list all parts. A Parts Number Index is located at the back of the book.

The Land Pride parts in this manual are specially designed for this machine and should be replaced with Land Pride parts only.

The information in this manual is current at time of printing. Some parts may change to assure top performance.

Right-hand and left-hand as used in this manual are determined by facing the direction the machine will travel while in use.

Below is an example of two facing pages from a parts manual. Familiarize yourself with the type of information contained on these pages.

## Manual Replacement Information

Replacement manuals are available. Refer to our website at [www.landpride.com](http://www.landpride.com) or e-mail us at [lit@landpride.com](mailto:lit@landpride.com) for additional information. Our website continues to provide the most up-to-date manuals available.

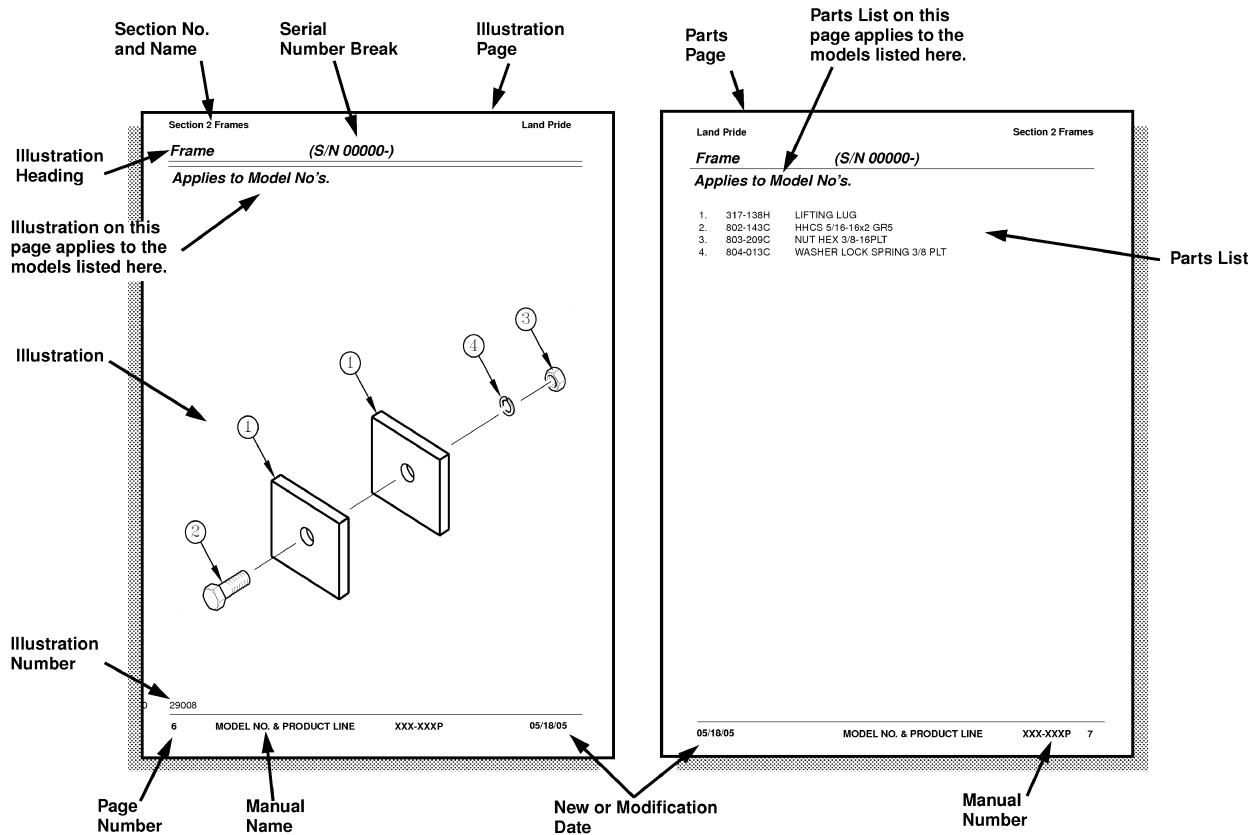
## Touch-up Paint

Repaint parts where paint is worn or scratched to prevent rust. Aerosol cans and touch-up bottles with brush applicator are available through your local dealer. Land Pride color descriptions and part numbers are listed below. Also available are quart and gallon size paints. Add QT or GL to end of the Aerosol P/N.

Color	Product*	Aerosol	Touch-Up
Gloss Black	LP	821-032C	821-032CTU
Beige	LP	821-011C	821-011CTU
Green	SLP	821-058C	821-058CTU
Orange	SLP	821-066C	821-066CTU
Red	SLP	821-054C	821-054CTU
Blue	SLP	821-067C	821-067CTU

Notes:

- \* LP = All Land Pride Products
- SLP = Select Land Pride Products that are available in optional Green, Orange and Red.



## General Information

### Hardware Legend

<b>AR</b>	As Required
<b>BLADE</b>	Blade Bolt
<b>C</b>	Cap Screw
<b>CP</b>	Cotter Pin
<b>CPHSSS</b>	Cup Point Hex Socket Set Screw
<b>CPSHSS</b>	Cup Point Square Head Set Screw
<b>CPSQHSS</b>	Cup Point Square Head Set Screw
<b>CRFCHMS3</b>	Cross Recess Flat Countersunk Head Machine Screw
<b>CRPHMS</b>	Cross Recess Pan Head Machine Screw
<b>CRPHTF</b>	Cross Recess Pan Head Thread Forming
<b>CRRHMS</b>	Cross Recess Round Head Machine Screw
<b>CRTHMS</b>	Cross Recess Truss Head Machine Screw
<b>CSNB</b>	Countersunk Square Neck Bolt
<b>FHMS</b>	Flat Head Machine Screw
<b>FTC</b>	Full Thread Cap Screw
<b>H</b>	Hex Nut
<b>HCLN</b>	Hex Center Lock Nut
<b>HFLCS</b>	Hex Flange Lock Cap Screw
<b>HFS</b>	Hex Flange Screw
<b>HFSLN</b>	Hex Flange Serrated Lock Nut
<b>HFSS</b>	Hex Flange Serrated Screw
<b>HHCS</b>	Hex Head Cap Screw or Metric Bolt
<b>HSBHCS</b>	Hex Socket Button Head Cap Screw
<b>HSFCHCS</b>	Hex Socket Flat Countersunk Head Cap Screw
<b>HSHCS</b>	Hex Socket Head Cap Screw
<b>HSSS</b>	Hex Socket Head Screw
<b>HTLN</b>	Hex Top Lock Nut
<b>HWHCS</b>	Hex Washer Head Cap Screw

<b>HWHMS</b>	Hex Washer Head Machine Screw
<b>HXBHCS</b>	Hex Socket Button Head Cap Screw
<b>J</b>	Hex Jam Nut
<b>JIC</b>	37 Degree Tapered Thread
<b>L</b>	Helical Spring Lock Washer
<b>LUG</b>	Lug Bolt
<b>NFC</b>	National Fine Cap Screw
<b>NPSM</b>	National Pipe Straight Mechanical
<b>NPTF</b>	National Pipe Taper Fuel
<b>P</b>	Wide Plain Washer
<b>PHMS</b>	Pan Head Machine Screw
<b>PLOW</b>	Plow Bolt
<b>RHMS</b>	Round Head Machine Screw
<b>RHSNB</b>	Round Head Square Neck Bolt
<b>SCREW LEVELING</b>	Leveling Screw
<b>SCREW THUMB</b>	Thumb Screw
<b>SCREW WELD</b>	Weld Screw
<b>SFCHMS</b>	Slotted Flat Countersunk Head Machine Screw
<b>SFHMS</b>	Slotted Fillister Head Machine Screw
<b>SP</b>	Special
<b>SP SCREW</b>	Special Screw
<b>SQHSS</b>	Square Head Set Screw
<b>SRHMS</b>	Slotted Round Head Machine Screw
<b>SSS</b>	Socket Set Screw
<b>STCS</b>	Self Tapping Cap Screw
<b>STHMS</b>	Slotted Truss Head Machine Screw
<b>WHEEL</b>	Wheel Studs and Hub Long Bolts
<b>WING</b>	Wing Bolt

### Replacement Hardware

The **Hardware Legend** above lists hardware abbreviations used in the parts list. All bolts and nuts are Grade 5 unless otherwise noted. The use of improper grades of hardware can result in personal injury, damage to equipment, or loss of property.

### Colored Replacement Parts

Land Pride offers replacement parts in factory standard colors and also on select models in Green, Orange, Red and Blue. Because of the variety of colors available, special attention must be given to the part number to prevent ordering the wrong replacement part.

A suffix number corresponding to one of the colors below must be added at the end of Land Pride's part number when ordering a replacement part with that color.

**81 . . . . . Green      83 . . . . . Red**  
**82 . . . . . Orange    84 . . . . . Blue**

For example, if you are ordering a replacement part with part number 555-555C and the part you need is red, then add the suffix 83 to the end of the number to make the part number read 555-555C83. Parts ordered without a suffix number will be supplied in factory standard colors.

### Black Replacement Parts

Some parts are factory standard black and some must be special ordered black. If your part is special ordered black, a second part number with the additional suffix number 85 on the end will be available. In this situation you must order that part with the suffix number for it to be black. Parts that are factory standard black will not have the suffix number.

### Part Number Service Coding

Within the parts list some part numbers are coded for revisions and interchangeability. See notations in revision column.

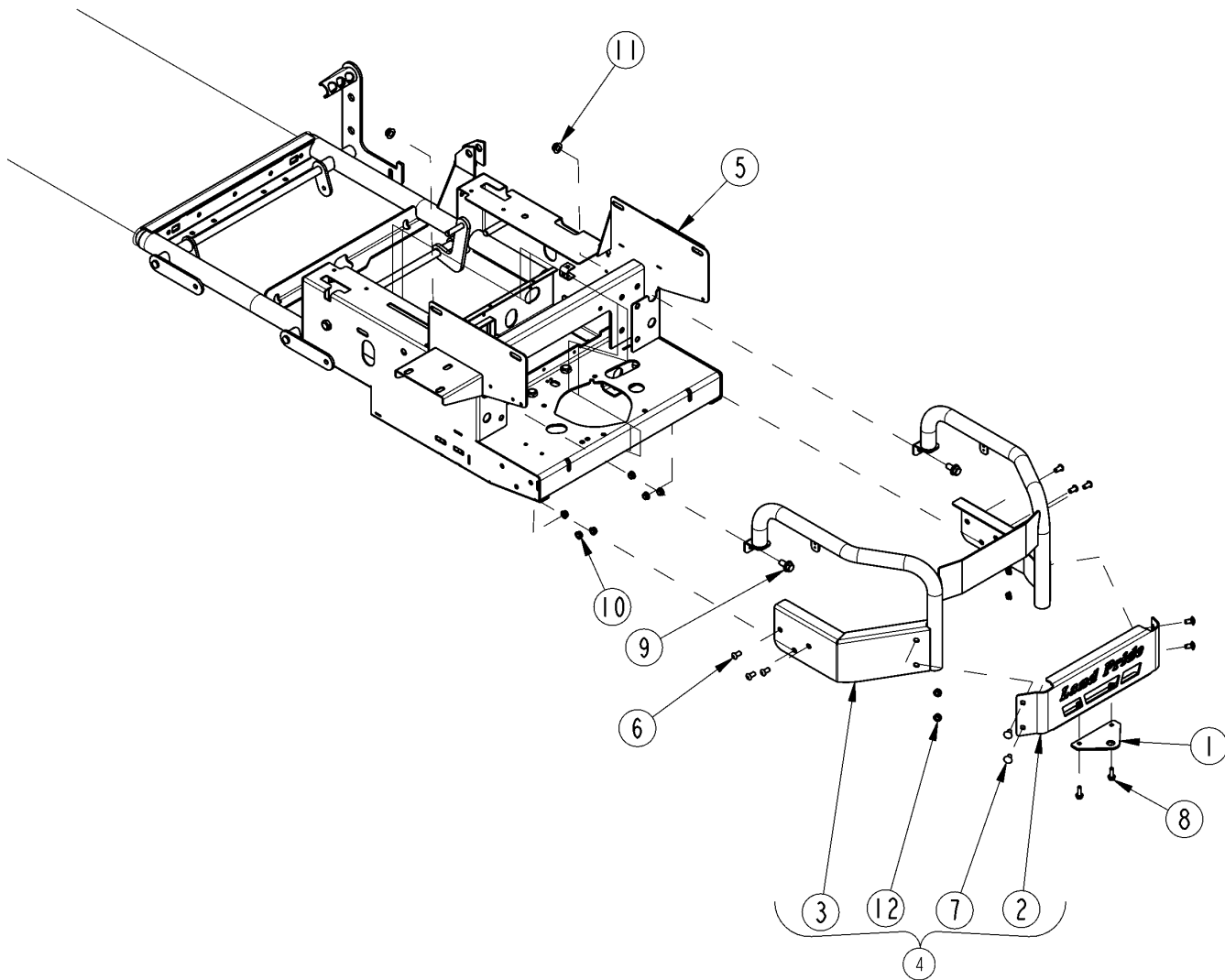
### Serial Numbers

Always use the serial and model number when ordering parts. Refer to the Operator's Manual for serial number plate location.

- |                      |  |
|----------------------|--|
| (S/N 20001+)         | Includes serial numbers 20001 and above (to the latest number)   |
| (S/N 10001 to 20000) | Includes serial numbers between and including 10001 and 20000    |
| (S/N 10000-)         | Includes serial numbers 10000 and below (to the earliest number) |

**Frame & Bumper S/N 664678-**

Applies to RAZOR Z48, RAZOR Z54



27744

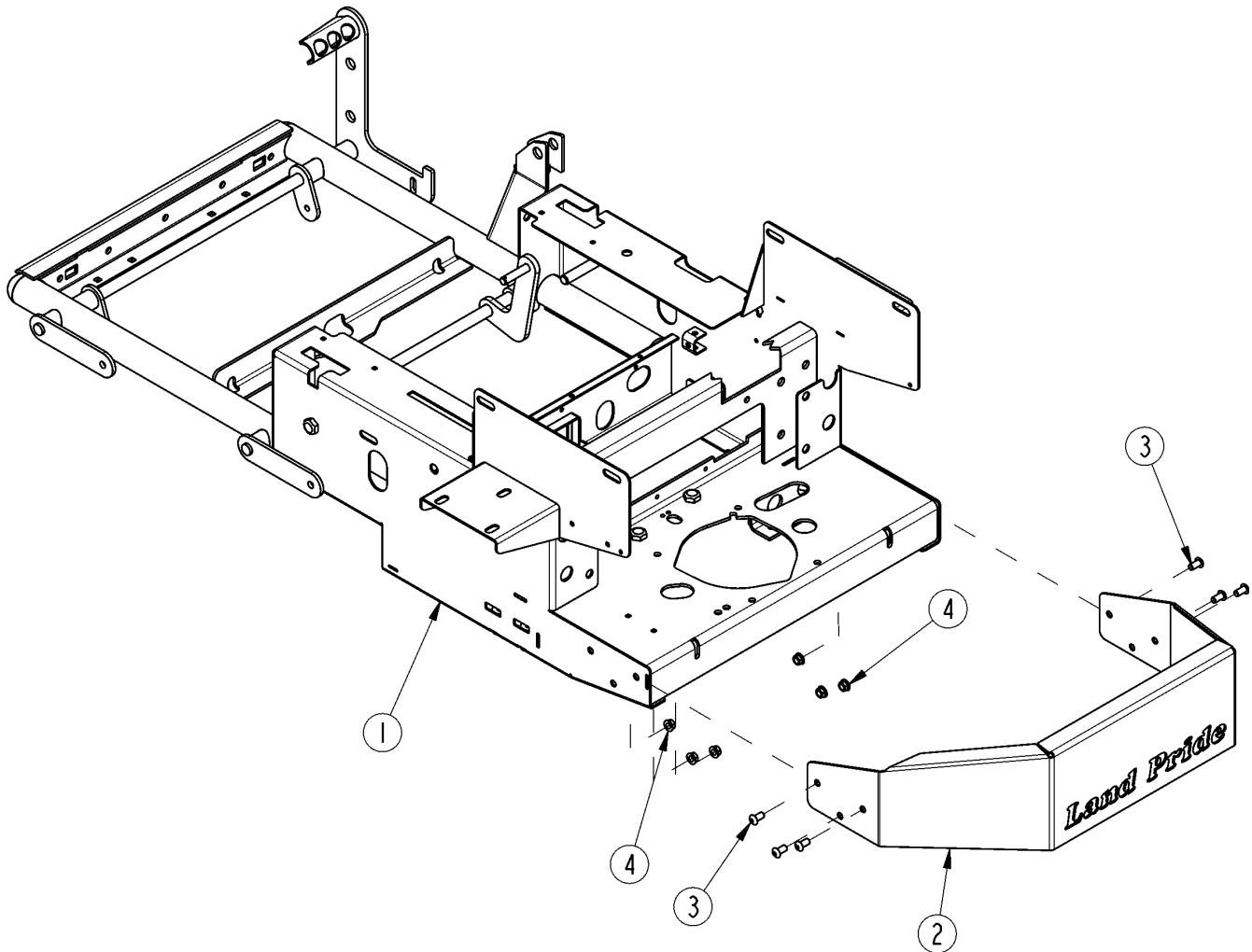
**Frame & Bumper S/N 664678-**

**Applies to RAZOR Z48, RAZOR Z54**

<b>Ref</b>	<b>Part No.</b>	<b>Part Description</b>	<b>Comments</b>	<b>Revision</b>
	dwg27744	Drawing Image Number		
1.	357-179D	HITCH, BUMPER		
2.	357-186V	BUMPER, CTR SECT W/NUTZERTS		
3.	357-239H	WMT, ENGINE GUARD		
4.	357-240S	ASY, ENGINE GUARD		
5.	357-317H	FRAME WELDMENT, RAZOR		
6.	801-078C	SCR HX SKT BUT CP 3/8-16X3/4		
7.	802-149C	RHSNB 3/8-16X3/4 GR5		
8.	802-431C	HFSS 5/16-18X1 GR5 PLT		
9.	802-568C	HFSS 1/2-13X1 GR5		
10.	803-068C	NUT HEX FLANGE 3/8-16 PLT		
11.	803-169C	NUT HEX FLG. LOCK 1/2-13 PLT.		
12.	803-209C	NUT FLANGE LOCK 3/8-16 PLT		

**Frame & Bumper S/N 664679+**

Applies to RAZOR Z48, RAZOR Z54



30711



**Frame & Bumper S/N 664679+**

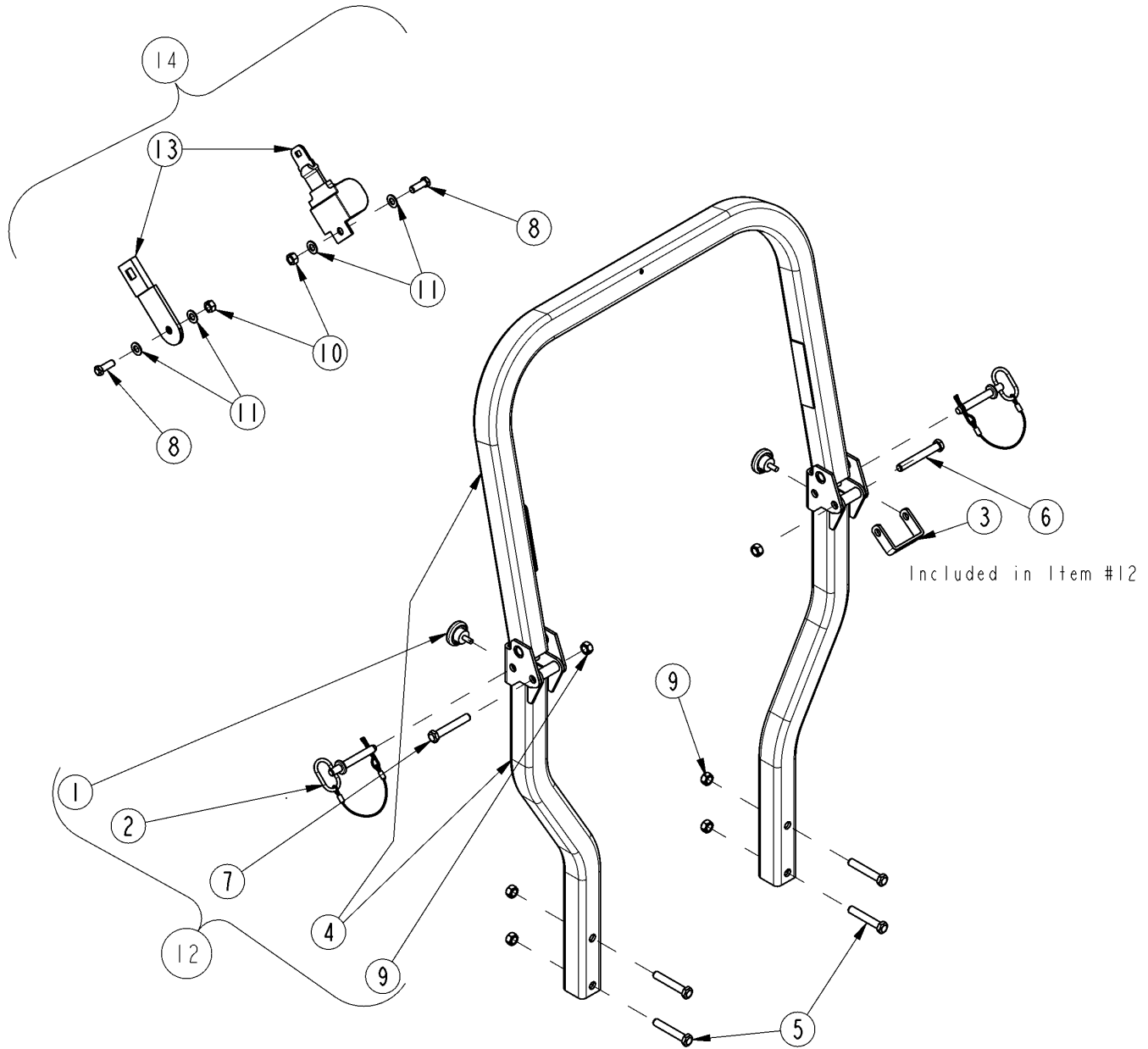
---

**Applies to RAZOR Z48, RAZOR Z54**

<b>Ref</b>	<b>Part No.</b>	<b>Part Description</b>	<b>Comments</b>	<b>Revision</b>
	dwg30711	Drawing Image Number		
1.	357-317H	FRAME WELDMENT, RAZOR		
2.	358-108D	BUMPER, REAR		
3.	801-078C	SCR HX SKT BUT CP 3/8-16X3/4		
4.	803-068C	NUT HEX FLANGE 3/8-16 PLT		

# Rops Folding W/ Seat Belt

Applies to RAZOR Z48, RAZOR Z54



27799

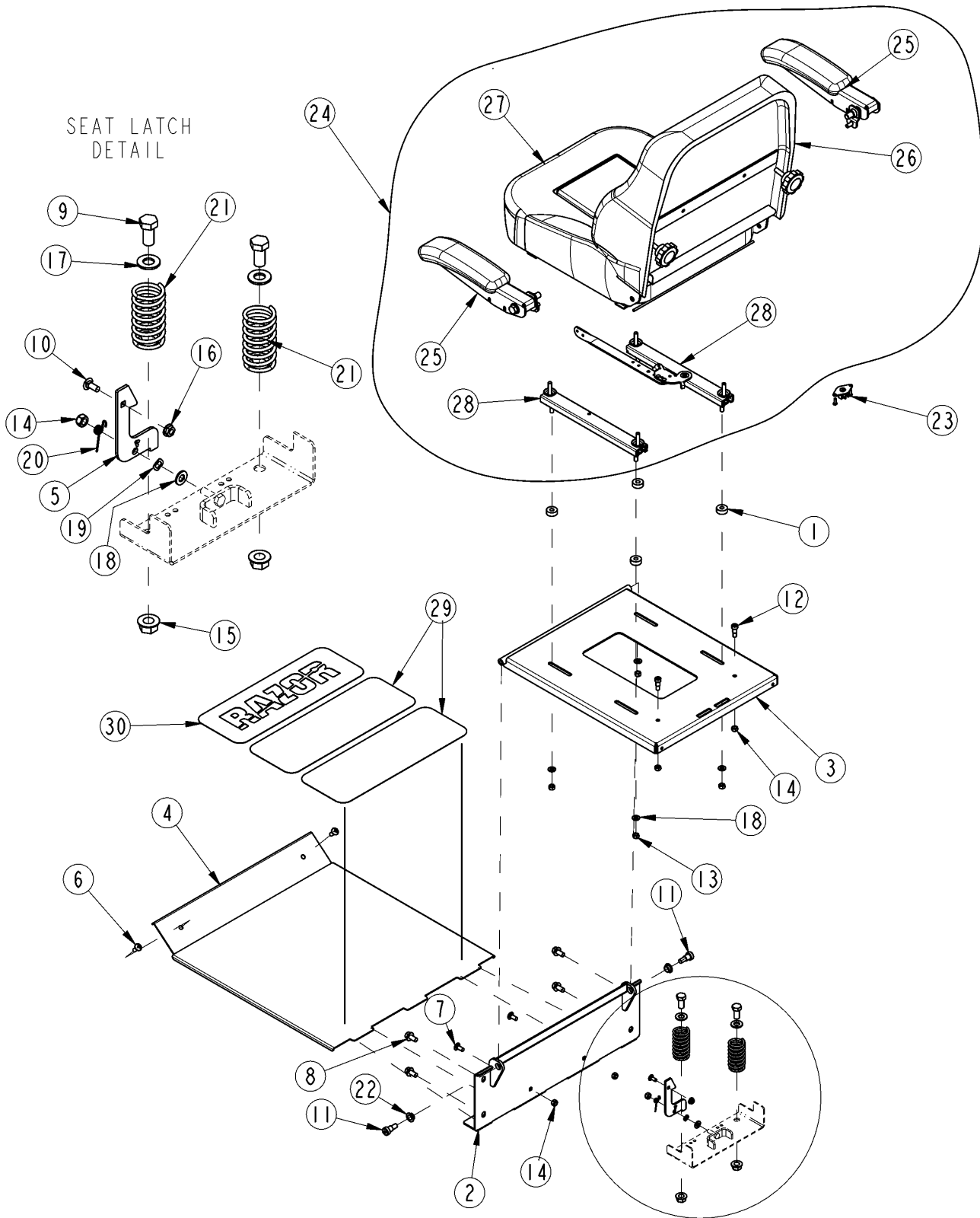
## ***Rops Folding W/ Seat Belt***

**Applies to RAZOR Z48, RAZOR Z54**

<b>Ref</b>	<b>Part No.</b>	<b>Part Description</b>	<b>Comments</b>	<b>Revision</b>
	dwg27799	Drawing Image Number		
1.	230024700	LOCKING KNOB		
2.	230321672	PIN, ROPS HINGE		
3.	711935272	ROPS STOP		
4.	N/A	FOLDING ROPS		
5.	802-039C	HHCS 1/2-13X3 GR5		
6.	802-042C	HHCS 1/2-13X3 3/4 GR5		
7.	802-099C	HHCS 1/2-13X3 1/4 GR5		
8.	802-227C	HHCS 7/16-20X1 1/4 GR8		
9.	803-019C	NUT LOCK 1/2-13 PLT		
10.	803-333C	NUT HEX NYLOCK 7/16-20 PLT		
11.	804-041C	WASHER FLAT 7/16 SAE PLT		
12.	823-391C	ASY, RAZOR FOLDING ROPS ISO	S/N 692615+	
12.	823-302C	RPBY 823-391C	S/N 692614-	
13.	840-272C	SEAT BELT RETRACTABLE		
14.	357-420A	KIT, Z-MWRS RTRCTABLE SEAT BLT		

# Seat & Footrest S/N 637189-

Applies to RAZOR Z48, RAZOR Z54



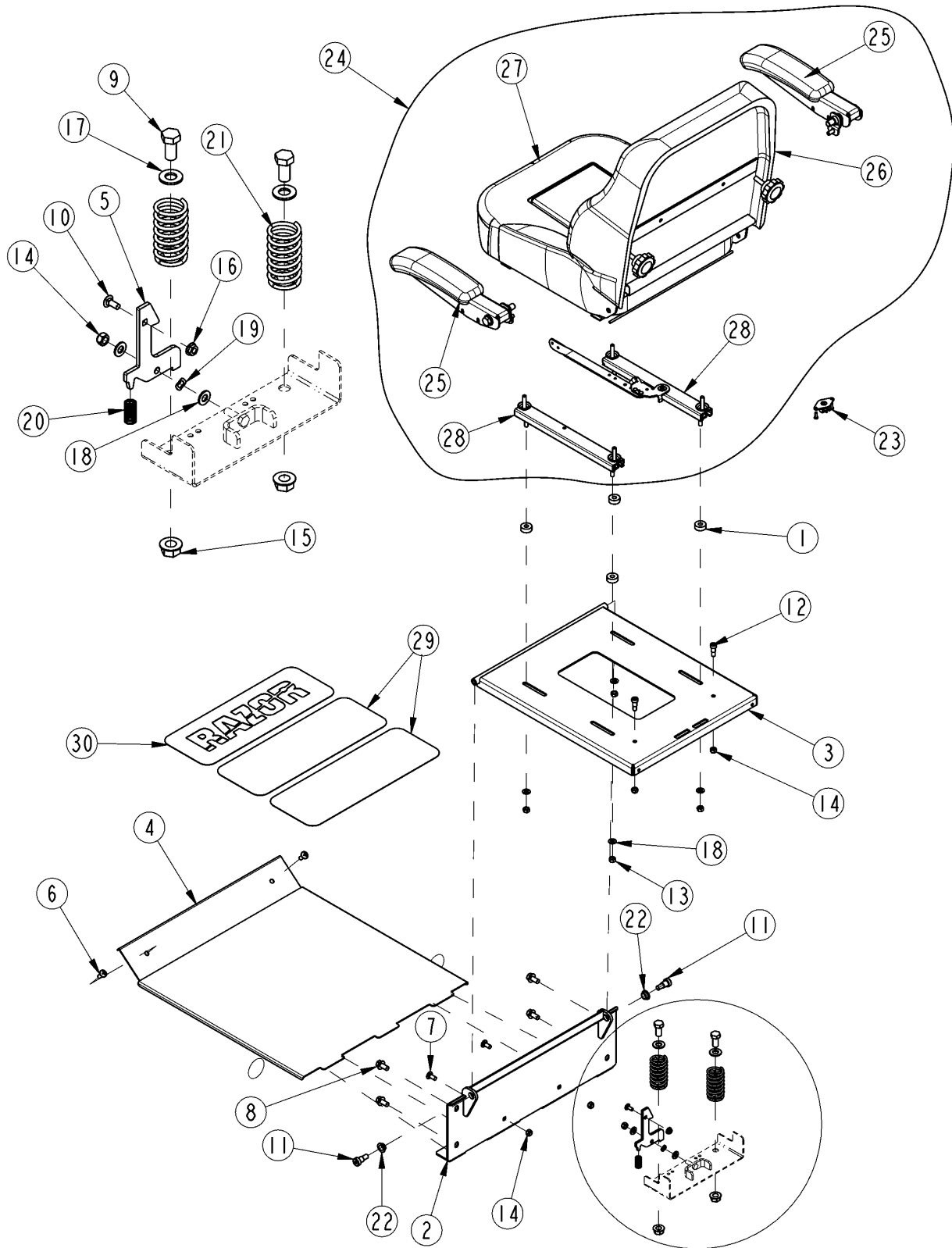
27743

**Seat & Footrest S/N 637189-****Applies to RAZOR Z48, RAZOR Z54**

<b>Ref</b>	<b>Part No.</b>	<b>Part Description</b>	<b>Comments</b>	<b>Revision</b>
	dwg27743	Drawing Image Number		
1.	356-074D	SPCR DELUXE SEAT MNT RAZOR PRO		
2.	357-314H	PEDESTAL FRONT, RAZOR		
3.	357-315H	SEAT PAN, RAZOR		
4.	357-783D	FLOOR PAN		
5.	357-852D	SEAT LATCH ARM	If This Part Is Ordered Replace With 357-407A	
6.	801-202C	TPHMS Y 5/16-18X3/4 ZNYCR		
7.	802-092C	RHSNB 5/16-18X3/4 GR5		
8.	802-185C	HFSS 3/8-16X3/4 LG		
9.	802-258C	HHCS 1/2-13X1 GR5		
10.	802-633C	RHSNB 1/4-20X5/8 PLT		
11.	802-747C	SHLDR BLT 1/2DX1/2L 3/8-16 SS		
12.	802-794C	SHOULDER BOLT 3/8X1/2X5/16-18		
13.	803-011C	NUT LOCK 5/16-18 PLT		
14.	803-084C	NUT HEX NYLOCK 5/16-18 PLT		
15.	803-169C	NUT HEX FLG LOCK 1/2-13 PLT		
16.	803-230C	NUT HEX FLANGE 1/4-20 PLT		
17.	804-016C	WASHER FLAT 1/2 SAE PLT		
18.	804-036C	WASHER FLAT 5/16 SAE PLT		
19.	804-056C	WASHER WAVE SPRING 5/16		
20.	807-221C	SPRING TORSION .054 WIRE		
21.	807-288C	SPRG 1.55ODX1.65WX3.5L SEATPAN		
22.	817-560C	BSHG FLG .50IDX.62ODX.31L		
23.	839-148C	OPERATOR PRESENCE SWITCH KIT		
24.	839-320C	SEAT BLACK DELUXE CUSHION		
25.	839-385C	SKING ARM REST KIT		
26.	839-411C	SKING BACK SEAT COVER		
27.	839-416C	SKING BOTTOM SEAT COVER		
28.	839-971C	KY SEAT TRACK (PAIR) 839-320C		
29.	840-262C	TREAD, FLOOR PANEL		
30.	840-310C	TREAD, RAZOR FLOOR PANEL		

# Seat & Footrest S/N 637190+

Applies to RAZOR Z48, RAZOR Z54



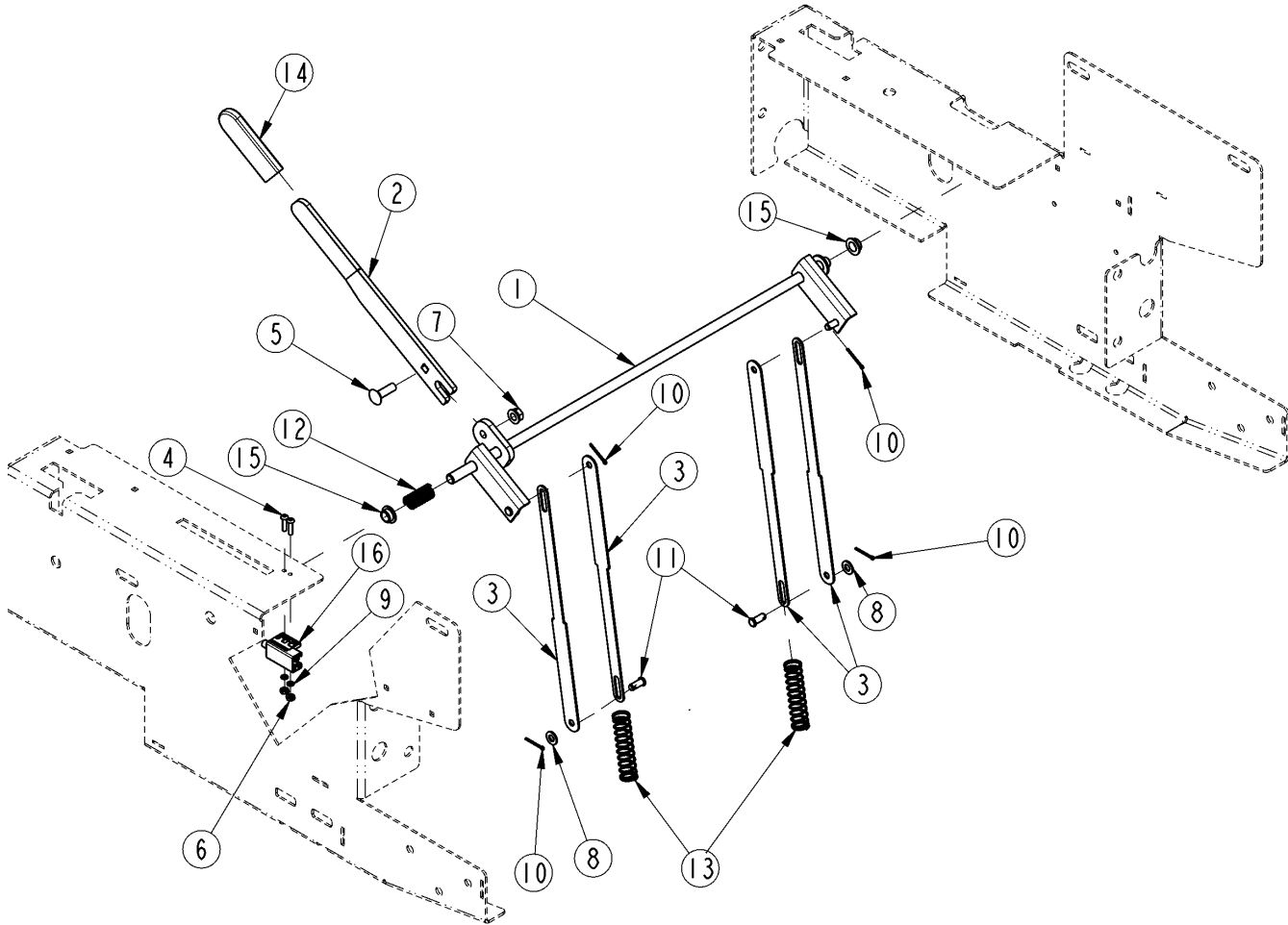
30035

**Seat & Footrest S/N 637190+****Applies to RAZOR Z48, RAZOR Z54**

<b>Ref</b>	<b>Part No.</b>	<b>Part Description</b>	<b>Comments</b>	<b>Revision</b>
	dwg30035	Drawing Image Number		
1.	356-074D	SPCR DELUXE SEAT MNT RAZOR PRO		
2.	357-314H	PEDESTAL FRONT, RAZOR		
3.	357-315H	SEAT PAN, RAZOR		
4.	357-783D	FLOOR PAN		
5.	357-852D	SEAT LATCH ARM		
6.	801-202C	TPHMS Y 5/16-18X3/4 ZNYCR		
7.	802-092C	RHSNB 5/16-18X3/4 GR5		
8.	802-185C	HFSS 3/8-16X3/4 LG		
9.	802-258C	HHCS 1/2-13X1 GR5		
10.	802-633C	RHSNB 1/4-20X5/8 PLT		
11.	802-747C	SHLDR BLT 1/2DX1/2L 3/8-16 SS		
12.	802-794C	SHOULDER BOLT 3/8X1/2X5/16-18		
13.	803-011C	NUT LOCK 5/16-18 PLT		
14.	803-084C	NUT HEX NYLOCK 5/16-18 PLT		
15.	803-169C	NUT HEX FLG LOCK 1/2-13 PLT		
16.	803-230C	NUT HEX FLANGE 1/4-20 PLT		
17.	804-016C	WASHER FLAT 1/2 SAE PLT		
18.	804-036C	WASHER FLAT 5/16 SAE PLT		
19.	804-056C	WASHER WAVE SPRING 5/16		
20.	807-096C	SPRING COMP 1/2 OD X 1 LG		
21.	807-288C	SPRG 1.55ODX1.65WX3.5L SEATPAN		
22.	817-560C	BSHG FLG .50IDX.62ODX.31L		
23.	839-148C	OPERATOR PRESENCE SWITCH KIT		
24.	839-320C	SEAT BLACK DELUXE CUSHION		
25.	839-385C	SKING ARM REST KIT		
26.	839-411C	SKING BACK SEAT COVER		
27.	839-416C	SKING BOTTOM SEAT COVER		
28.	839-971C	KY SEAT TRACK (PAIR) 839-320C		
29.	840-262C	TREAD, FLOOR PANEL		
30.	840-310C	TREAD, RAZOR FLOOR PANEL		

# Brake Park

Applies to RAZOR Z48, RAZOR Z54



27749

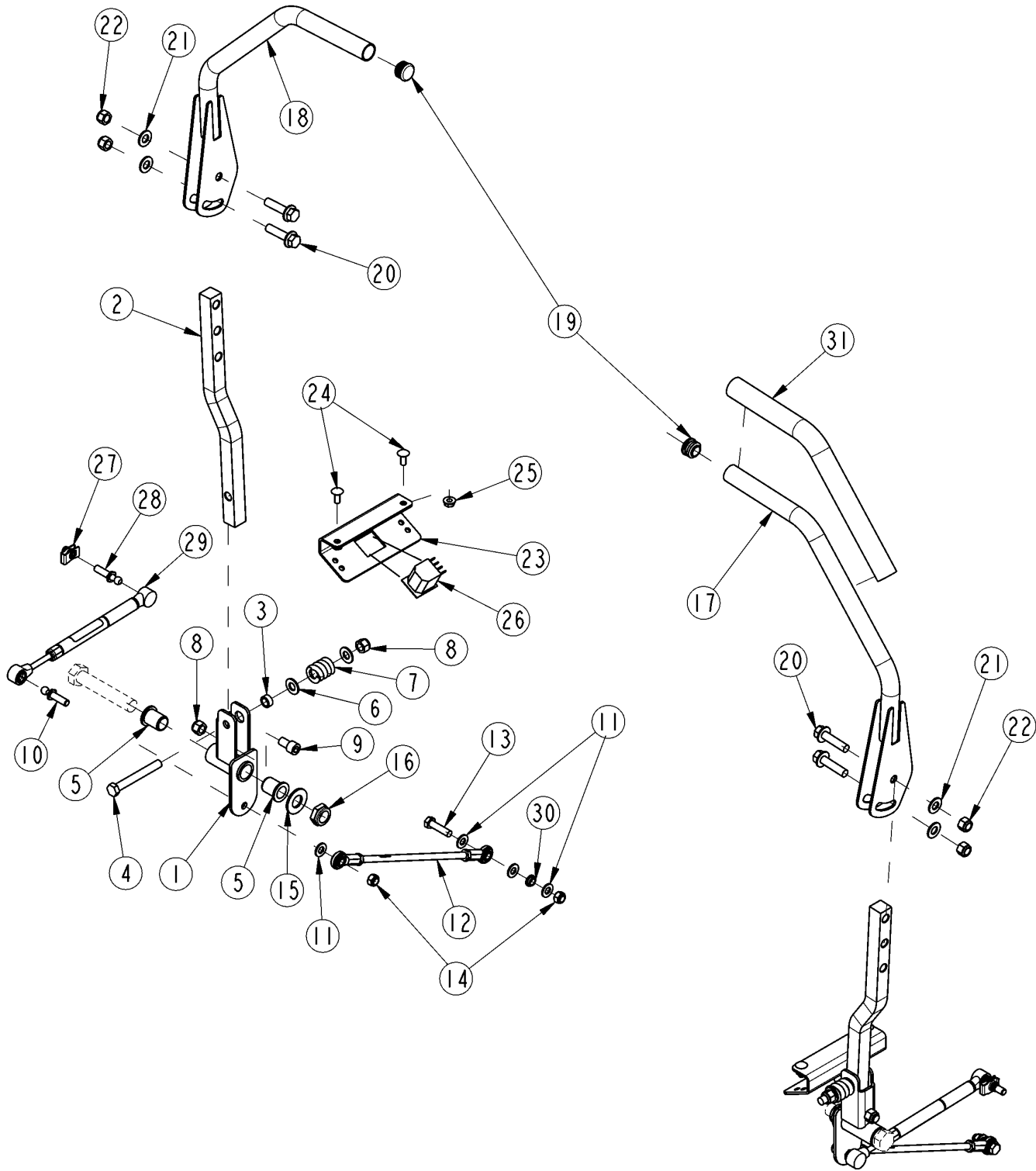


**Brake Park****Applies to RAZOR Z48, RAZOR Z54**

<b>Ref</b>	<b>Part No.</b>	<b>Part Description</b>	<b>Comments</b>	<b>Revision</b>
	dwg27749	Drawing Image Number		
1.	357-324H	PARK LEVER PIVOT ASSY		
2.	357-728D	PARK BRAKE HANDLE		
3.	357-759D	PARK BRAKE LINK		
4.	801-225C	HSBHCS #10-24 X 3/4		
5.	802-155C	RHSNB 3/8-16X1 1/4 GR5		
6.	803-001C	NUT HEX 10-24 PLT		
7.	803-209C	NUT FLANGE LOCK 3/8-16 PLT		
8.	804-036C	WASHER FLAT 5/16 SAE PLT		
9.	804-054C	WASHER LOCK #10		
10.	805-063C	PIN COTTER 3/32 X 1 LONG		
11.	805-400C	PIN CLEVIS 5/16 X 3/4 PLT		
12.	807-119C	SPRING COMP .72 X 1.5 X .072WD		
13.	807-244C	SPRING COMP .85DX3.5L X .068W		
14.	817-246C	GRIP HANDLE .84 ID X 4 LG		
15.	817-560C	BSHG FLG .50IDX.62ODX.31L		
16.	833-341C	SWITCH, 2-POLE 12V 5A PLUNGER		

# Control Levers

Applies to RAZOR Z48, RAZOR Z54



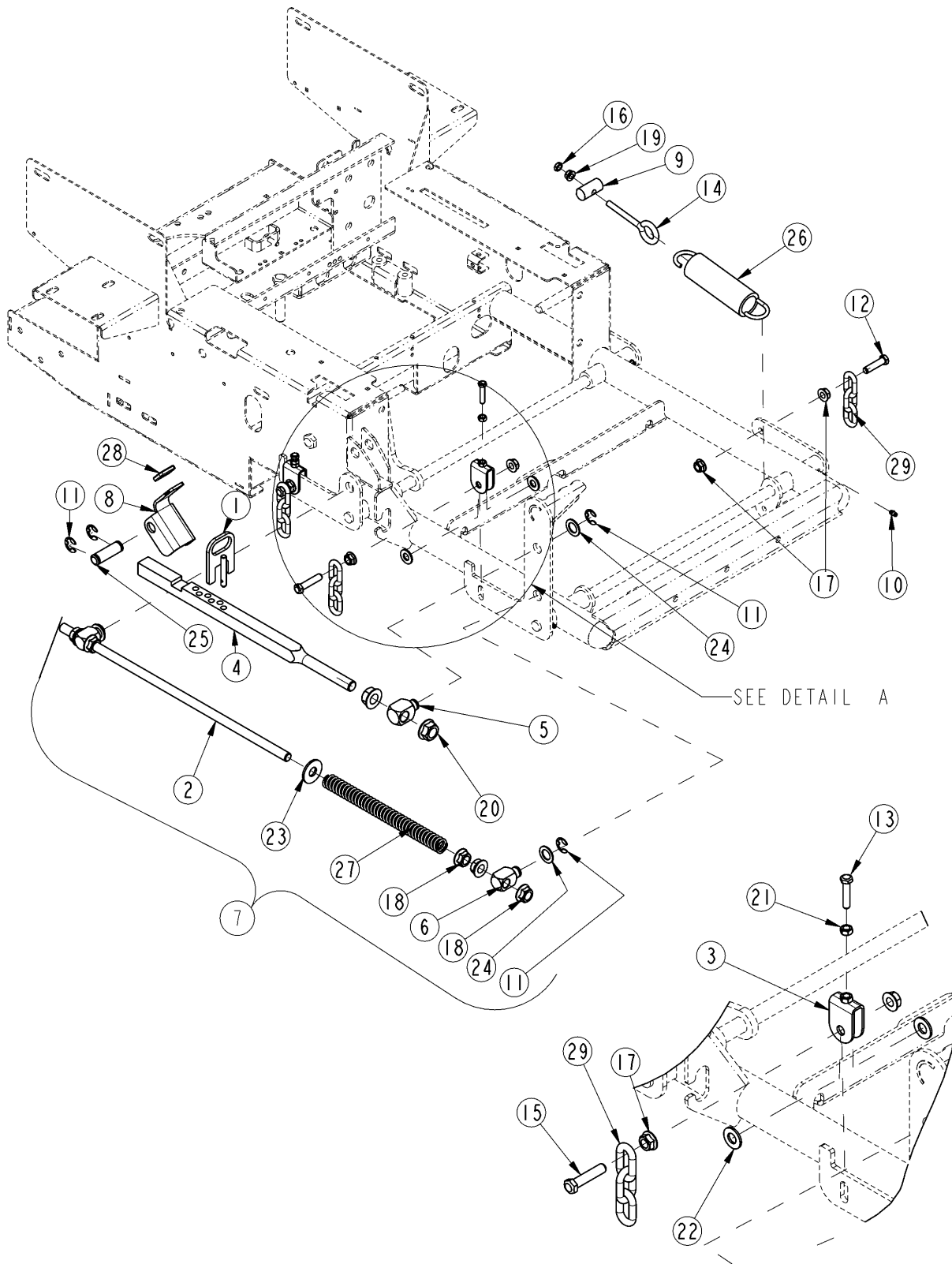
27745

**Control Levers****Applies to RAZOR Z48, RAZOR Z54**

Ref	Part No.	Part Description	Comments	Revision
	dwg27745	Drawing Image Number		
1.	357-322H	PIVOT ARM, STEERING		
2.	357-403D	BAR,DRIVE CONTROL STUB		
3.	357-756D	BUSHING, .397ID X .75OD		
4.	802-024C	HHCS 3/8-16X3 GR5		
5.	817-028C	DOUBLE DISK ARM PIVOT BUSHINGS		
6.	804-012C	WASHER FLAT 3/8 SAE PLT		
7.	807-280C	SPRING COMP .905OD .24W 1.22L		
8.	803-078C	NUT LOCK 3/8-16 NYLON INSERT		
9.	802-889C	HSHCS 3/8-16X5/8 GR5 BLK		
10.	800-383C	BALL STUD 10MM X 5/16-18 UNC		
11.	804-036C	WASHER FLAT 5/16 SAE PLT		
12.	890-957C	ROD ASSY,DRIVE CONTROL		
13.	802-010C	HHCS 5/16-18X1 1/4 GR5		
14.	803-084C	NUT HEX NYLOCK 5/16-18 PLT		
15.	804-021C	WASHER FLAT 5/8 SAE PLT		
16.	803-094C	NUT 5/8-11 NYLON COLLAR THIN	S/N 643615+	
16.	803-148C	NUT HEX NYLOCK 5/8-11 PLT	S/N 643614- (Sub With 803-094C)	
17.	357-002H	LEVER AY, DRIVE CONTROL LH		
18.	357-042H	LEVER AY, DRIVE CONTROL RH		
19.	817-618C	CAPLUG, CCF-7/8-14-20 BLACK		
20.	802-569C	HFSS 3/8-16X1 1/2 GR5		
21.	804-012C	WASHER FLAT 3/8 SAE PLT		
22.	803-078C	NUT LOCK 3/8-16 NYLON INSERT		
23.	357-851D	MOUNT, NEUTRAL SWITCH		
24.	802-633C	RHSNB 1/4-20X5/8 PLT		
25.	803-230C	NUT HEX FLANGE 1/4-20 PLT		
26.	833-503C	SWITCH, 2 POLE 12 V PLUNGER		
27.	800-120C	NUT CLIP U-TYPE 5/16-18		
28.	800-383C	BALL STUD 10MM X 5/16-18 UNC		
29.	891-140C	DAMPER, DRIVE CONTROL		
30.	817-755C	BSHG FLG .31IDX.44ODX.19L		
31.	816-461C	GRIP, DRIVE CONTROL LEVER		

# Deck Lift

Applies to RAZOR Z48, RAZOR Z54



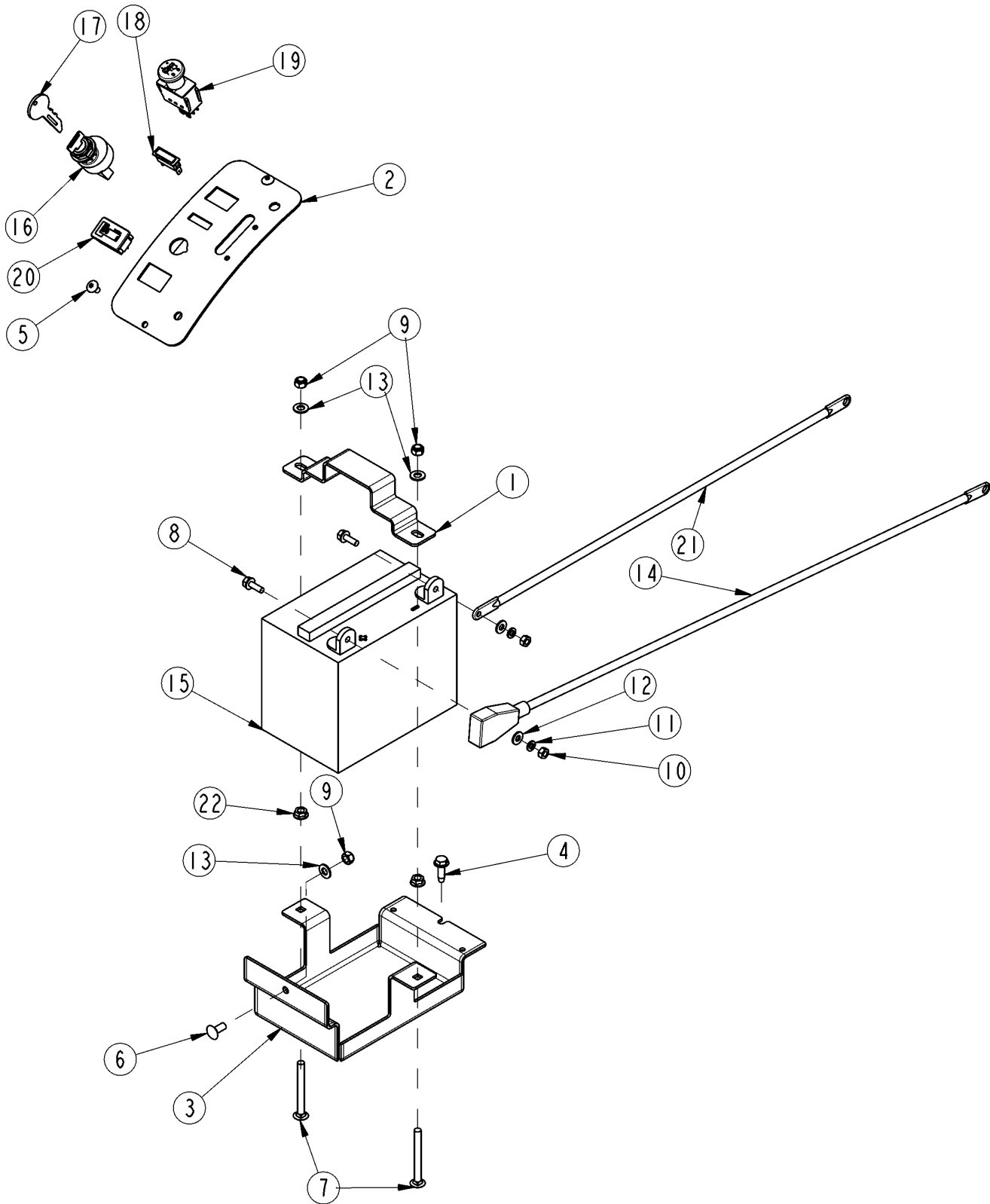
27746

**Deck Lift****Applies to RAZOR Z48, RAZOR Z54**

<b>Ref</b>	<b>Part No.</b>	<b>Part Description</b>	<b>Comments</b>	<b>Revision</b>
	dwg27746	Drawing Image Number		
1.	357-001H	STOP AY, DECK HEIGHT		
2.	357-002D	ROD, DECK LIFT		
3.	357-009H	YOKE AY, DECK LIFT ADJUSTING		
4.	357-019D	BAR, DECK HEIGHT GAGE		
5.	357-020D	TRUNION, 3/4 DECK LIFT		
6.	357-021D	TRUNION, 5/8 DECK LIFT		
7.	357-089S	DECK LIFT SPRING ASSY		
8.	357-149D	PAWL, DECK HEIGHT GAUGE		
9.	357-781D	BOLT ROCKER		
10.	800-080C	GREASE ZERK 1/4-28 THD FORMING		
11.	800-234C	EXTERNAL E-RING 3/4 I.D. HEAVY		
12.	802-113C	HHCS 7/16-14X1 3/4 GR5		
13.	802-179C	HHCS 5/16-18X1 1/2 FTHD G5		
14.	802-674C	CLOSED EYE BOLT 3/8-16X4 1/2		
15.	802-814C	HHCS 7/16-14X2 GR5 FTHD		
16.	803-012C	NUT HEX JAM 3/8-16 PLT		
17.	803-052C	NUT HEX WHIZ 7/16-14 PLT		
18.	803-196C	NUT HEX FLANGE 5/8-11 PLT		
19.	803-198C	NUT HEX WHIZ 3/8-16 PLT		
20.	803-214C	NUT HEX FLANGE 3/4-10 GR5 PLT		
21.	803-275C	NUT HEX 5/16-18 GR8 PLT		
22.	804-016C	WASHER FLAT 1/2 SAE PLT		
23.	804-019C	WASHER FLAT 5/8 USS PLT		
24.	804-156C	WASHER MACH 1 1/4X3/4X14GA		
25.	805-106C	PIN,CLEVIS .75X2.5X2.00 E-CLIP		
26.	807-113C	SPRING EXT 1 7/8ODX8 3/8X.25W		
27.	807-240C	SPRING, COMP 1.05ODX16LX.148W		
28.	817-033C	LID LATCH GRIP		
28.	817-631C	RPBY 817-033C		
29.	890-907C	CHAIN, 5/16 LONG LINK PROOF 3X		

# Electrical Components

Applies to RAZOR Z48, RAZOR Z54



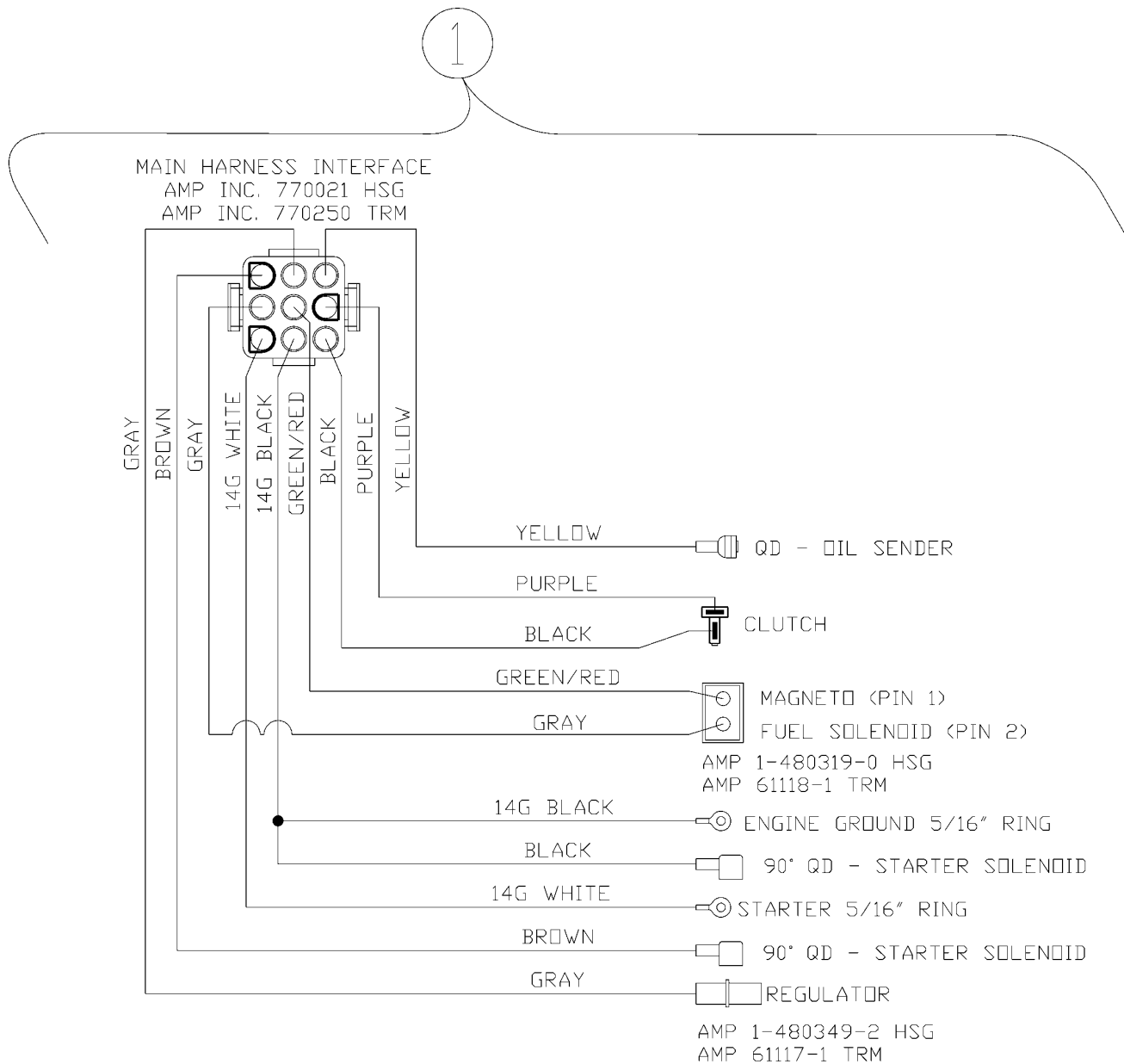
27748

**Electrical Components****Applies to RAZOR Z48, RAZOR Z54**

<b>Ref</b>	<b>Part No.</b>	<b>Part Description</b>	<b>Comments</b>	<b>Revision</b>
	dwg27748	Drawing Image Number		
1.	357-014D	BRACKET, BATTERY HOLD-DOWN		
2.	357-112D	PANEL, CONTROL		
3.	357-729D	BATTERY TRAY		
4.	801-031C	SCREW HEX 5/16-12 X 1 THD CUTT		
5.	801-198C	TTHMS 1/4-20X1/2 ZNYCR		
6.	802-092C	RHSNB 5/16-18X3/4 GR5		
7.	802-232C	RHSNB 5/16-18X3 FTTHD		
8.	802-257C	HFSS 1/4-20X3/4 GR5		
9.	803-084C	NUT HEX NYLOCK 5/16-18 PLT		
10.	803-326C	NUT HEX 1/4-20 ZNYCR		
11.	804-006C	WASHER LOCK SPRING 1/4 PLT		
12.	804-007C	WASHER FLAT 1/4 SAE PLT		
13.	804-036C	WASHER FLAT 5/16 SAE PLT		
14.	833-019C	BATTERY CABLE 6GA RED 32 1/4		
15.	N/A	BATTERY	UL1HD (245 CCA) Or U1L-X (300CCA) B.C.I. Group Size	
16.	833-336C	IGNITION SWITCH W/2 KEYS(6PIN)		
17.	833-342C	KEY W/SHIELD (RP FOR 833-336C)		
18.	833-350C	LIGHT, 14V INDICATOR		
19.	833-351C	BLADE SWITCH		
20.	833-352C	HOUR METER		
21.	833-457C	CABLE,4GAX24X.25X.38 BLK BATT		
22.	803-199C	NUT HEX FLANGE 5/16-18 PLT		

# Electrical Wiring Schematic Briggs Engine

Applies to RAZOR Z48, RAZOR Z54





## ***Electrical Wiring Schematic Briggs Engine***

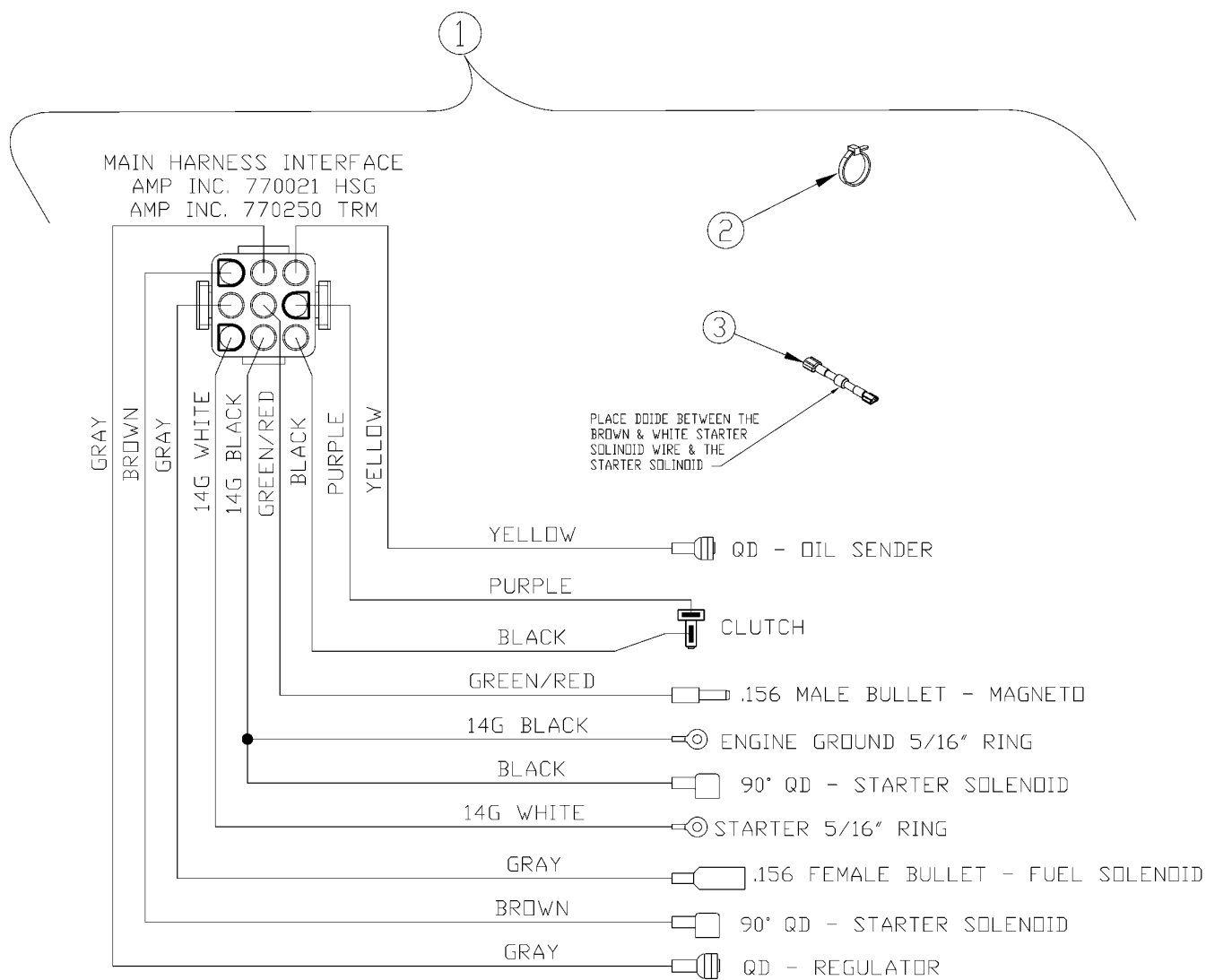
---

**Applies to RAZOR Z48, RAZOR Z54**

<b>Ref</b>	<b>Part No.</b>	<b>Part Description</b>	<b>Comments</b>	<b>Revision</b>
	dwg27789	Drawing Image Number		
1.	833-507C	HARNESS ASY, B&S RAZOR ENG		

# Electrical Wiring Schematic Kawasaki Engine

Applies to RAZOR Z48, RAZOR Z54



## ***Electrical Wiring Schematic Kawasaki Engine***

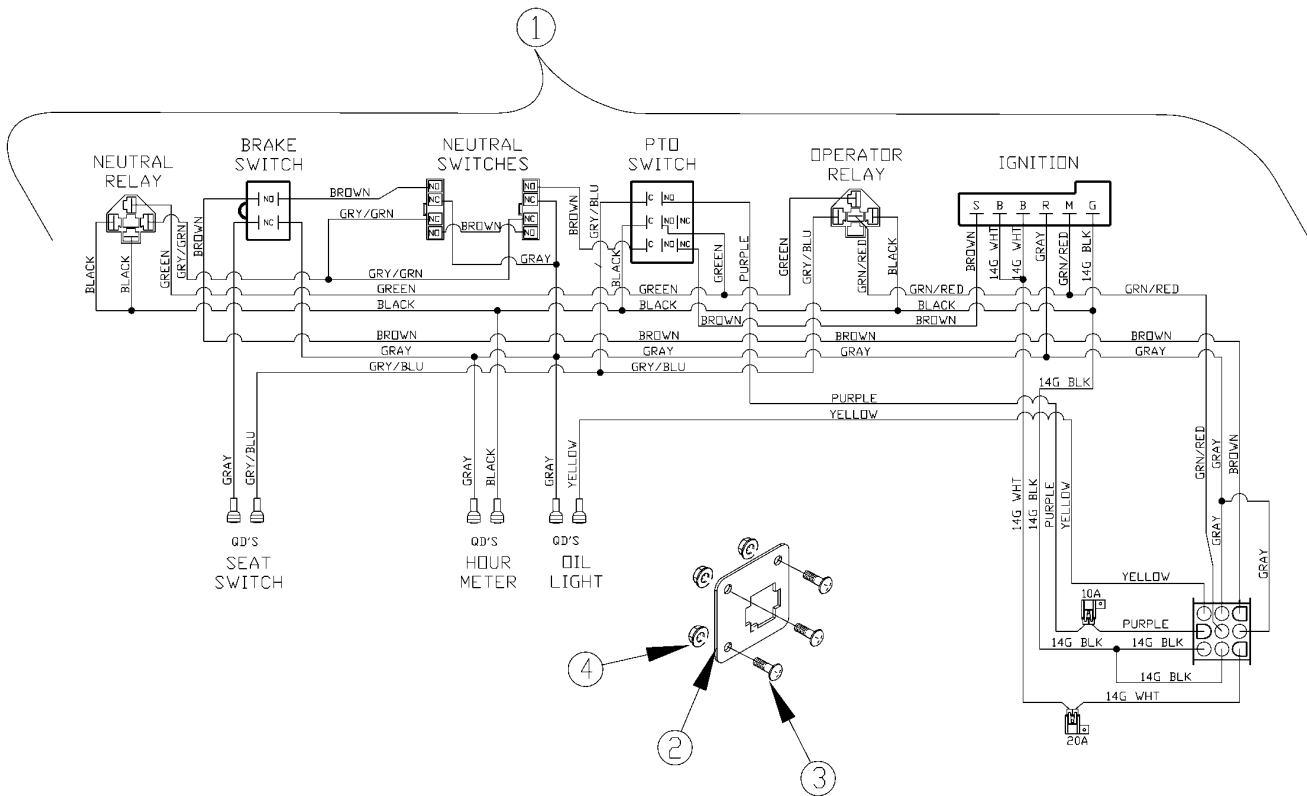
---

**Applies to RAZOR Z48, RAZOR Z54**

<b>Ref</b>	<b>Part No.</b>	<b>Part Description</b>	<b>Comments</b>	<b>Revision</b>
	dwg27824	Drawing Image Number		
1.	833-506C	HARNESS ASY, KAW RAZOR ENG		
2.	800-303C	CABLE TIE 2 DIA MIN - BLK		
3.	833-465C	DIODE ASSY, STARTER		

# Electrical Wiring Schematic Main Harness

Applies to RAZOR Z48, RAZOR Z54



## ***Electrical Wiring Schematic Main Harness***

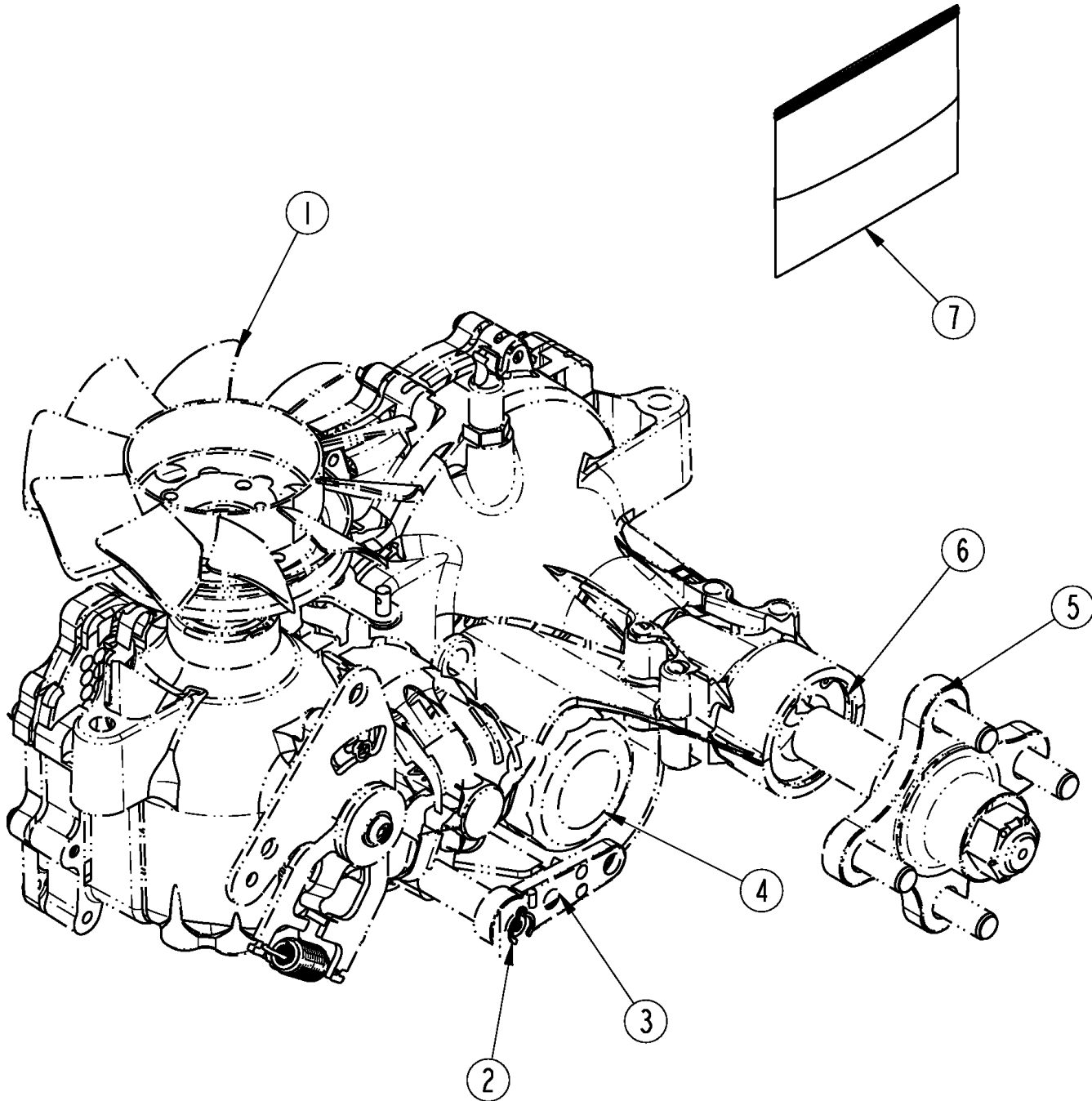
---

**Applies to RAZOR Z48, RAZOR Z54**

<b>Ref</b>	<b>Part No.</b>	<b>Part Description</b>	<b>Comments</b>	<b>Revision</b>
	dwg27748	Drawing Image Number		
1.	833-504C	HARNESS ASY, RAZOR MAIN		
2.	357-855D	PLATE, HARNESS MOUNT		
3.	802-633C	RHSNB 1/4-20X5/8 PLT		
4.	803-088C	NUT HEX LOCK 1/4-20 FLG		

# Transmission Components (831-069C & 831-070C)

Applies to RAZOR Z48, RAZOR Z54



27878

**Transmission Components (831-069C & 831-070C)**

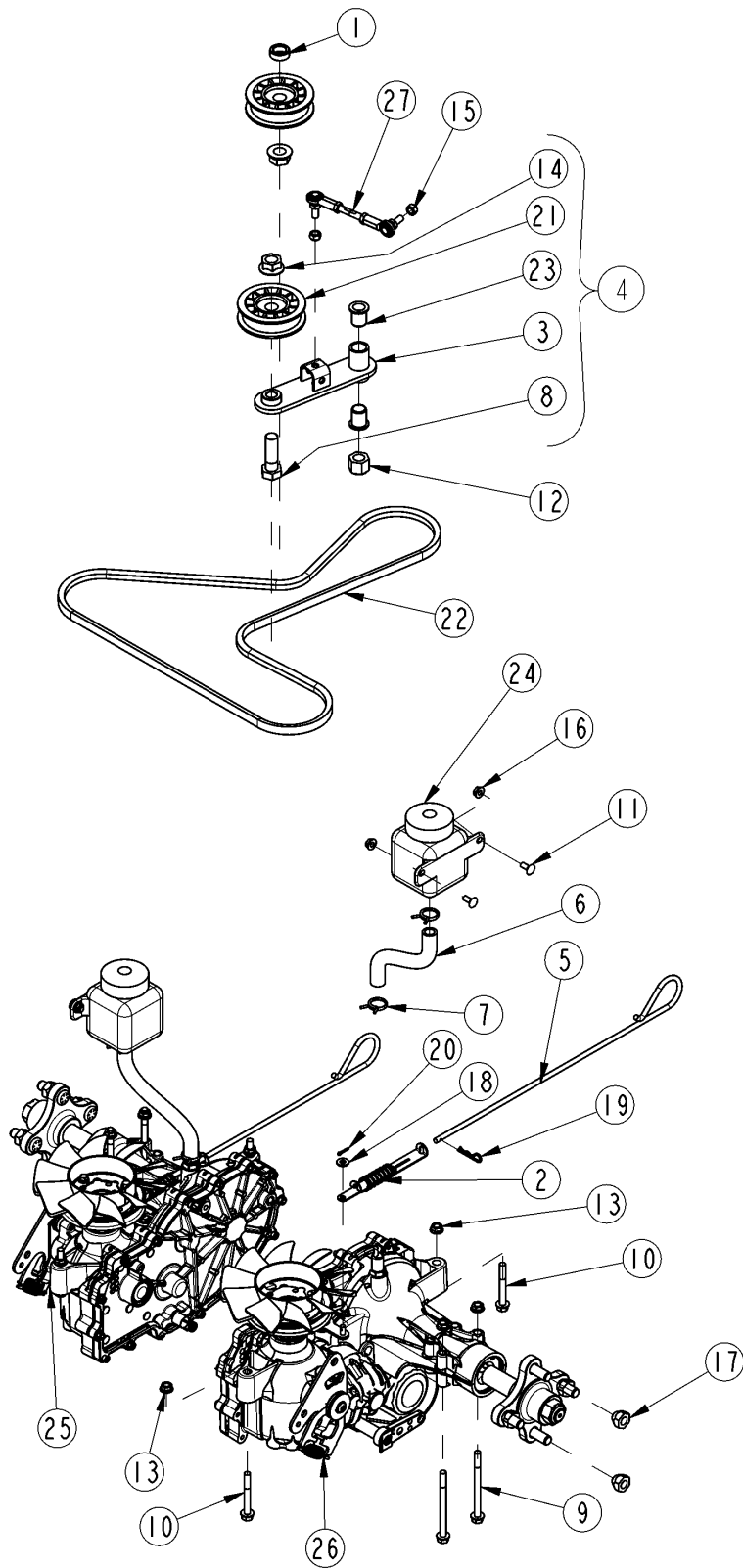
---

**Applies to RAZOR Z48, RAZOR Z54**

<b>Ref</b>	<b>Part No.</b>	<b>Part Description</b>	<b>Comments</b>	<b>Revision</b>
	dwg27878	Drawing Image Number		
	831-069C	TRANSAXLE RH, POWDERED GEARS		
	831-070C	TRANSAXLE LH, POWDERED GEARS	Shown	
		*		
1.	72124	HG FAN/PULLY KIT		
2.	53019	HG CLIP, RETAINING	S/N 822610+	
2.	52027	RPBY 53019	S/N 822609-	
3.	52639	HG HANDLE, BRAKE		
4.	831-060C	FILTER,2800 IZT TRANSMISSION		
5.	71446	HG HUB W/STUDS 831-056C/057C		
6.	53699	HG SEAL, LIP 25X52X10 TC(GREY)	Also in Seal Kit	
7.	71410	SEAL KIT FOR THE ZT-2800		

# Transmission to Frame Assembly

Applies to RAZOR Z48, RAZOR Z54



27752

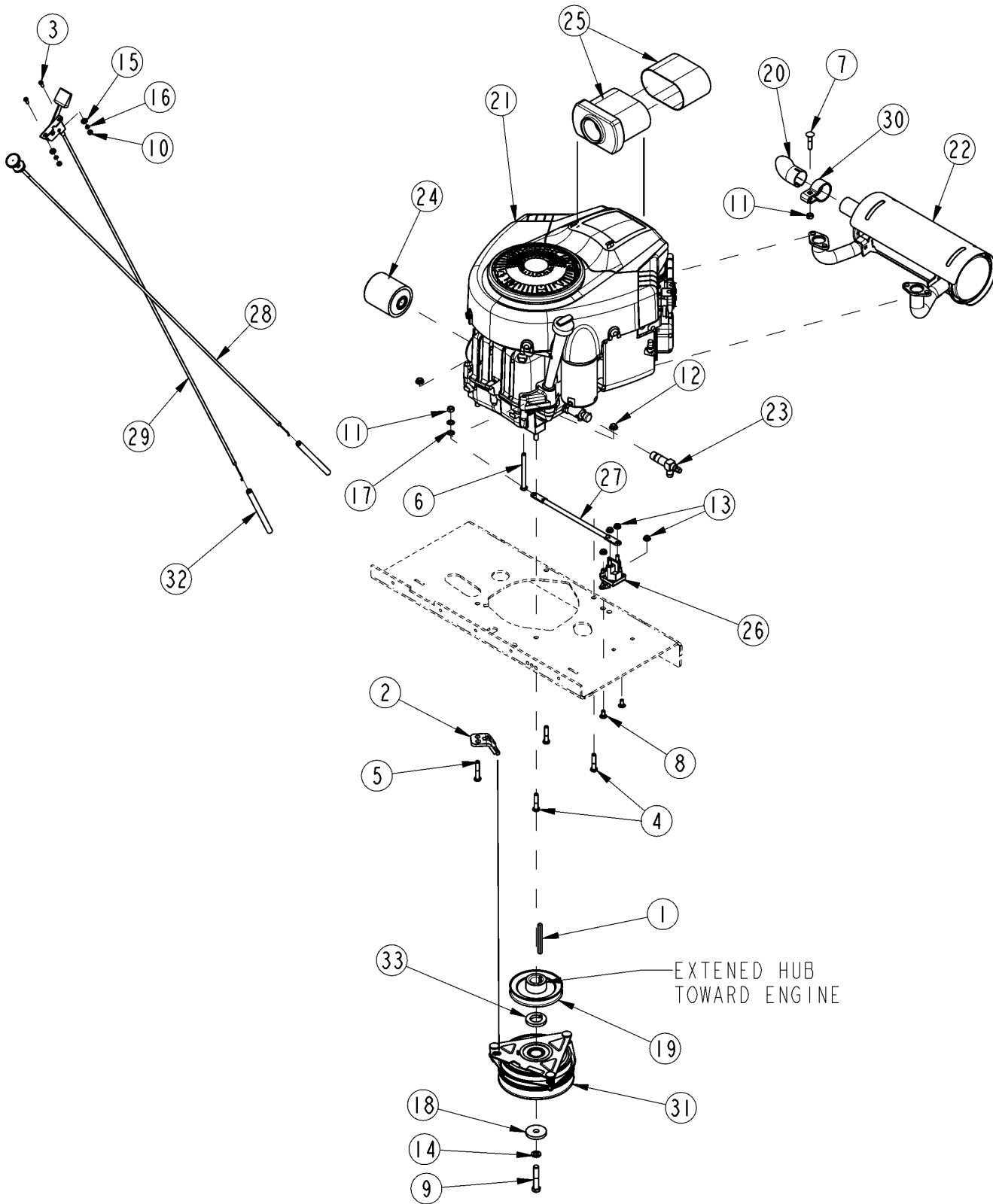


**Transmission to Frame Assembly****Applies to RAZOR Z48, RAZOR Z54**

Ref	Part No.	Part Description	Comments	Revision
	dwg27752	Drawing Image Number		
1.	357-181D	BUSHING, .64X1.00X.45L PLAIN		
2.	357-184L	SPRING ASSY, IZT BYPASS ROD		
3.	357-316H	HYDRO TENSIONER ARM, RAZOR		
4.	357-325S	TENSIONER ARM ASSY		
5.	357-455D	ROD, 2800 IZT BYPASS		
6.	358-399D	HYD RES TUBE 1/2" ID		
7.	800-321C	HOSE CLAMP NO. 12 3/4 ID		
8.	802-055C	HHCS 5/8-11X2 GR5		
9.	802-225C	HFS 5/16-18X4 G5 ZNYCR		
10.	802-439C	HFSS 5/16-18X2 1/2 GR5		
11.	802-633C	RHSNB 1/4-20X5/8 PLT		
12.	803-148C	NUT HEX NYLOCK 5/8-11 PLT		
13.	803-177C	NUT HEX FLG TP LK 5/16-18ZNYCR		
14.	803-263C	NUT HEX FLANGE LOCK 5/8-11 PLT		
15.	803-270C	NUT HEX NYLOCK 5/16-24		
16.	803-293C	NUT HEX FLG TL 1/4-20 ZNYCR		
17.	803-329C	NUT LUG 1/2-20X60DEG PLT(.81AF		
18.	804-007C	WASHER FLAT 1/4 SAE PLT		
19.	805-010C	PIN HAIR COTTER .094		
20.	805-307C	PIN COTTER 3/32 X 1/2		
21.	808-375C	PULLEY, 3.00X.63IDX.72W IDLER		
22.	816-779C	V-BELT, A-SEC 67.30 EL	S/N 848901+	
22.	816-616C	RPBY 816-779C	S/N 848900-	
23.	817-028C	DOUBLE DISK ARM PIVOT BUSHINGS		
24.	817-749C	TANK, 350 ML EXPANSION		
25.	831-069C	TRANSAXLE RH, POWDERED GEARS		
26.	831-070C	TRANSAXLE LH, POWDERED GEARS		
27.	890-950C	ROD ASSY, IZT PARKING BRAKE		

# Engine Assembly Briggs & Stratton 22 HP

Applies to RAZOR Z48



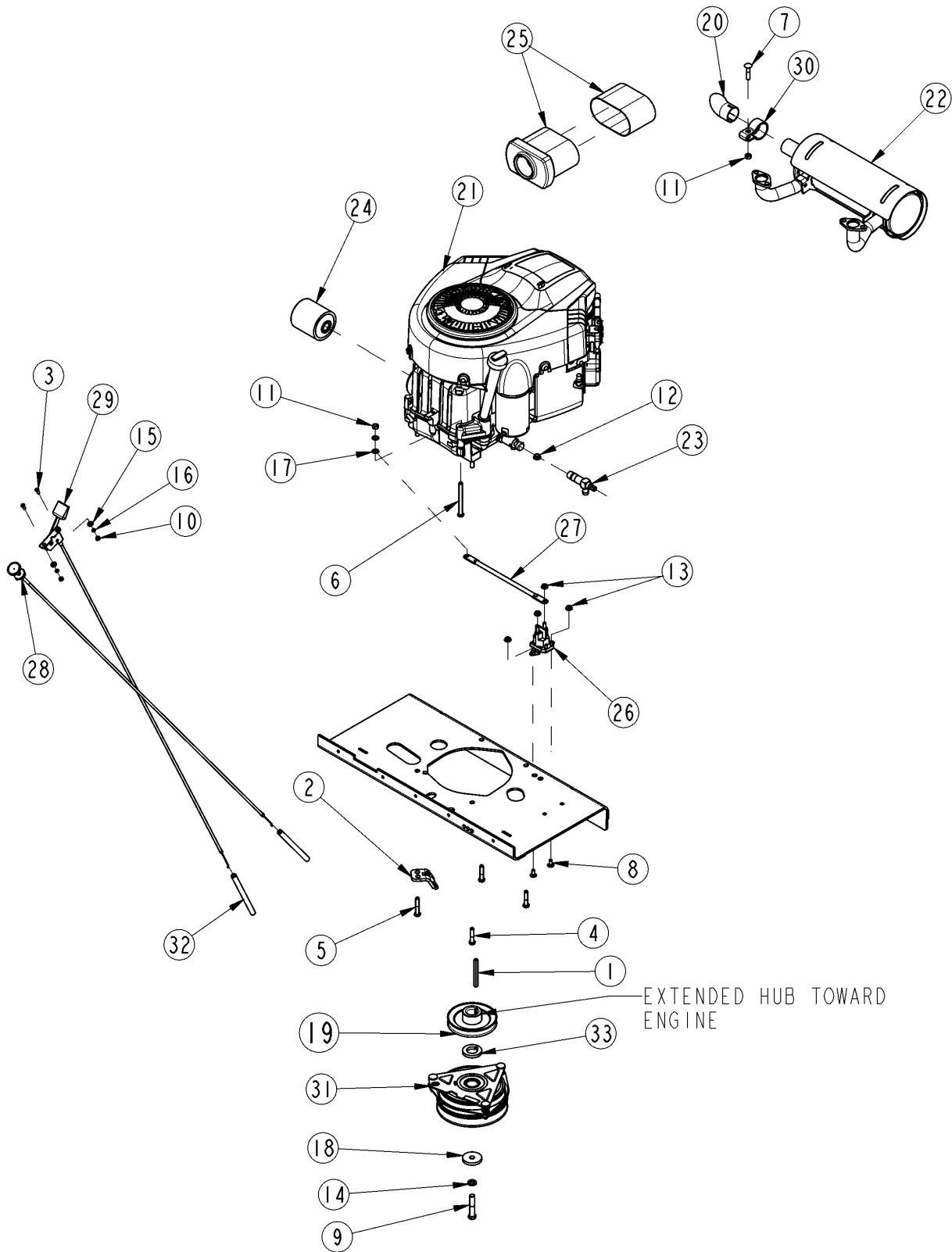
27788

**Engine Assembly Briggs & Stratton 22 HP****Applies to RAZOR Z48**

Ref	Part No.	Part Description	Comments	Revision
	dwg27788	Drawing Image Number		
1.	357-618D	KEY, 1/4 X 1/4 X 3 LG		
2.	357-619D	BRACKET, CLUTCH CLOCKING		
3.	801-205C	TPHMS Y #10-24 X 1/2 ZNYCR		
4.	802-012C	HHCS 5/16-18X1 1/2 GR5		
5.	802-013C	HHCS 5/16-18X1 3/4 GR5		
6.	802-190C	HHCS 5/16-18X3 1/2 GR5 FTTHD		
7.	802-270C	RHSNB 5/16-18X1 1/2 GR5		
8.	802-633C	RHSNB 1/4-20X5/8 PLT		
9.	802-923C	HHCS 7/16-20X2 1/4 GR8	S/N 659121+	
9.	802-862C	HHCS 7/16-20X2 GR8 PLT	S/N 659120-	
10.	803-001C	NUT HEX 10-24 PLT		
11.	803-008C	NUT HEX 5/16-18 PLT		
12.	803-177C	NUT HEX FLG TP LK 5/16-18ZNYCR		
13.	803-293C	NUT HEX FLG TL 1/4-20 ZNYCR		
14.	804-014C	WASHER LOCK 7/16 PLT		
15.	804-046C	WASHER FLAT #10 SAE PLT		
16.	804-054C	WASHER LOCK #10		
17.	804-221C	WASHER INTERNAL STAR 5/16 PLT		
18.	804-231C	WASHER .460 X 1.75 X.25 PLT		
19.	808-402C	PULLEY, 4.5 PD X 1.00 ID A-SEC		
20.	826-535C	EXTNSION, 1 3/8X60DEG TAILPIPE		
21.	826-727C	ENGINE, 22HP B&S EPA	S/N 714681+	
21.	826-543C	RPBY 826-727C	S/N 714680-	
22.	826-620C	MUFFLER, 26 HP, BRIGGS		
23.	829-127C	VALVE, B & S OIL DRAIN		
24.	831-053C	FILTER, B&S INTEK ELS OIL		
25.	831-054C	FILTER, B&S INTEK ELS AIR		
26.	833-556C	SOLENOID, SEALED ENGINE STARTR	S/N 699098+	
26.	833-405C	RPBY 357-509A	S/N 699097-	
27.	833-414C	CABLE, 4GAX10X.25X.31		
28.	890-106C	CABLE, 53X.062X1.87 CHOKE		
29.	890-115C	CABLE, 50X.062X2.12 THROTTLE		
30.	890-947C	CLAMP, 1 1/2 MUFFLER		
31.	891-230C	CLUTCH, 12V HI TORQ BLD BRAKE	S/N 692674+	
31.	891-227C	RPBY 891-230C	S/N 692673-	
31.	890-982C	RPBY 891-227C		
32.	990-249R	HEAT SHIELD, 1/4" I.D.	Sold per Foot	
33.	358-079D	SPACER, ENG PTO, 1 ID, .25 THK	S/N 659121+	

# Engine Assembly Briggs & Stratton 26 HP

Applies to RAZOR Z54



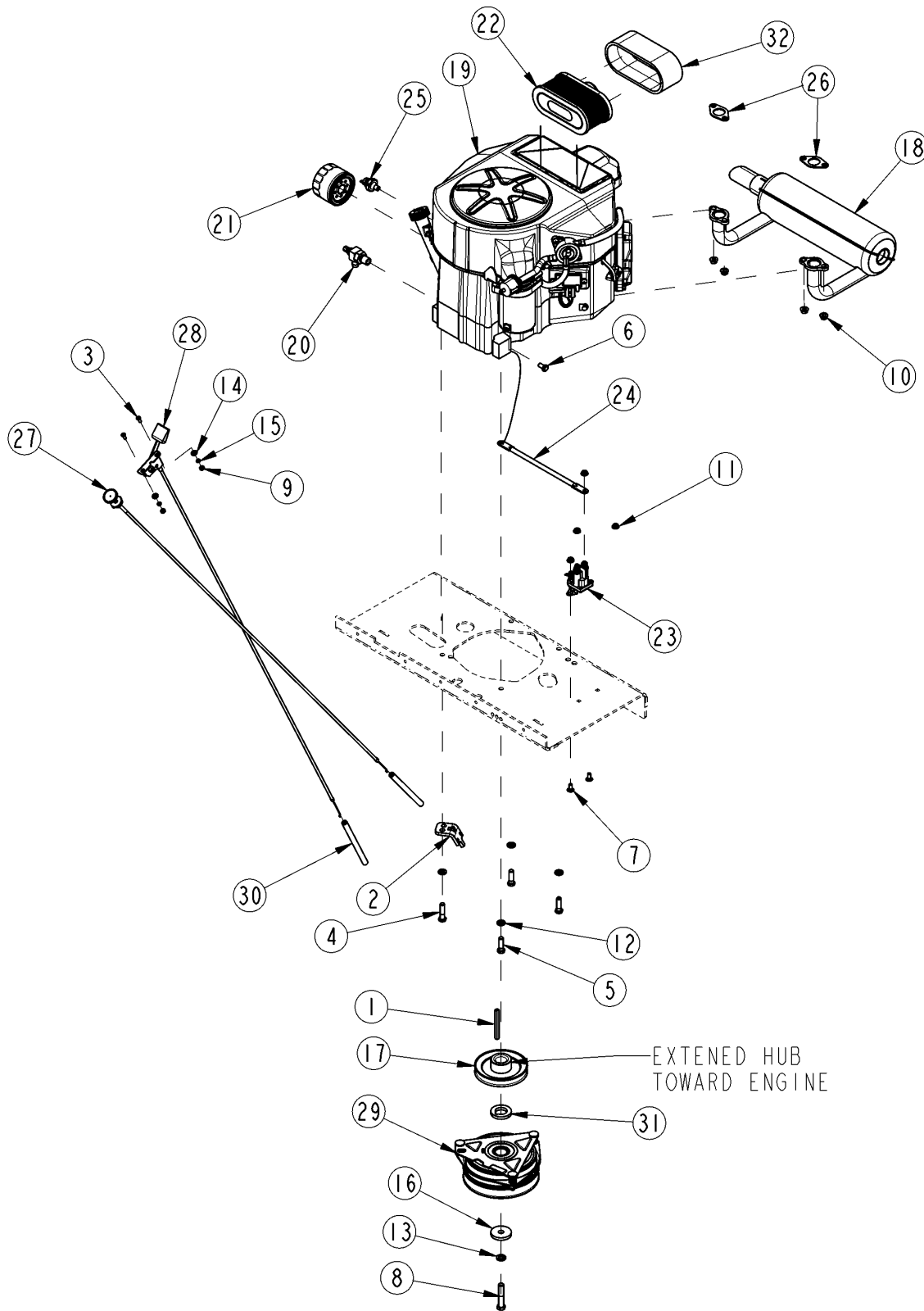
27797

**Engine Assembly Briggs & Stratton 26 HP****Applies to RAZOR Z54**

Ref	Part No.	Part Description	Comments	Revision
	dwg27797	Drawing Image Number		
1.	357-618D	KEY, 1/4 X 1/4 X 3 LG		
2.	357-619D	BRACKET, CLUTCH CLOCKING		
3.	801-205C	TPHMS Y #10-24 X 1/2 ZNYCR		
4.	802-012C	HHCS 5/16-18X1 1/2 GR5		
5.	802-013C	HHCS 5/16-18X1 3/4 GR5		
6.	802-190C	HHCS 5/16-18X3 1/2 GR5 FTTHD		
7.	802-270C	RHSNB 5/16-18X1 1/2 GR5		
8.	802-633C	RHSNB 1/4-20X5/8 PLT		
9.	802-923C	HHCS 7/16-20X2 1/4 GR8	S/N 659121+	
9.	802-862C	HHCS 7/16-20X2 GR8 PLT	S/N 659120-	
10.	803-001C	NUT HEX 10-24 PLT		
11.	803-008C	NUT HEX 5/16-18 PLT		
12.	803-177C	NUT HEX FLG TP LK 5/16-18ZNYCR		
13.	803-293C	NUT HEX FLG TL 1/4-20 ZNYCR		
14.	804-014C	WASHER LOCK 7/16 PLT		
15.	804-046C	WASHER FLAT #10 SAE PLT		
16.	804-054C	WASHER LOCK #10		
17.	804-221C	WASHER INTERNAL STAR 5/16 PLT		
18.	804-231C	WASHER .460 X 1.75 X.25 PLT		
19.	808-402C	PULLEY, 4.5 PD X 1.00 ID A-SEC		
20.	826-535C	EXTNSION, 1 3/8X60DEG TAILPIPE		
21.	826-728C	ENGINE, 26HP B&S EPA	S/N 714681+	
21.	826-544C	RPBY 826-728C	S/N 714680-	
22.	826-620C	MUFFLER, 26 HP, BRIGGS		
23.	829-127C	VALVE, B & S OIL DRAIN		
24.	831-053C	FILTER, B&S INTEK ELS OIL		
25.	831-054C	FILTER, B&S INTEK ELS AIR		
26.	833-556C	SOLENOID, SEALED ENGINE STARTR	S/N 699098+	
26.	833-405C	RPBY 357-509A	S/N 699097-	
27.	833-414C	CABLE, 4GAX10X.25X.31		
28.	890-106C	CABLE, 53X.062X1.87 CHOKE		
29.	890-115C	CABLE, 50X.062X2.12 THROTTLE		
30.	890-947C	CLAMP, 1 1/2 MUFFLER		
31.	891-230C	CLUTCH, 12V HI TORQ BLD BRAKE	S/N 692674+	
31.	891-227C	RPBY 891-230C	S/N 692673-	
31.	890-982C	RPBY 891-227C		
32.	990-249R	HEAT SHIELD, 1/4" I.D.	Sold per Foot	
33.	358-079D	SPACER, ENG PTO, 1 ID, .25 THK	S/N 659121+	

# Engine Assembly Kawasaki 18.5HP

Applies to RAZOR Z48



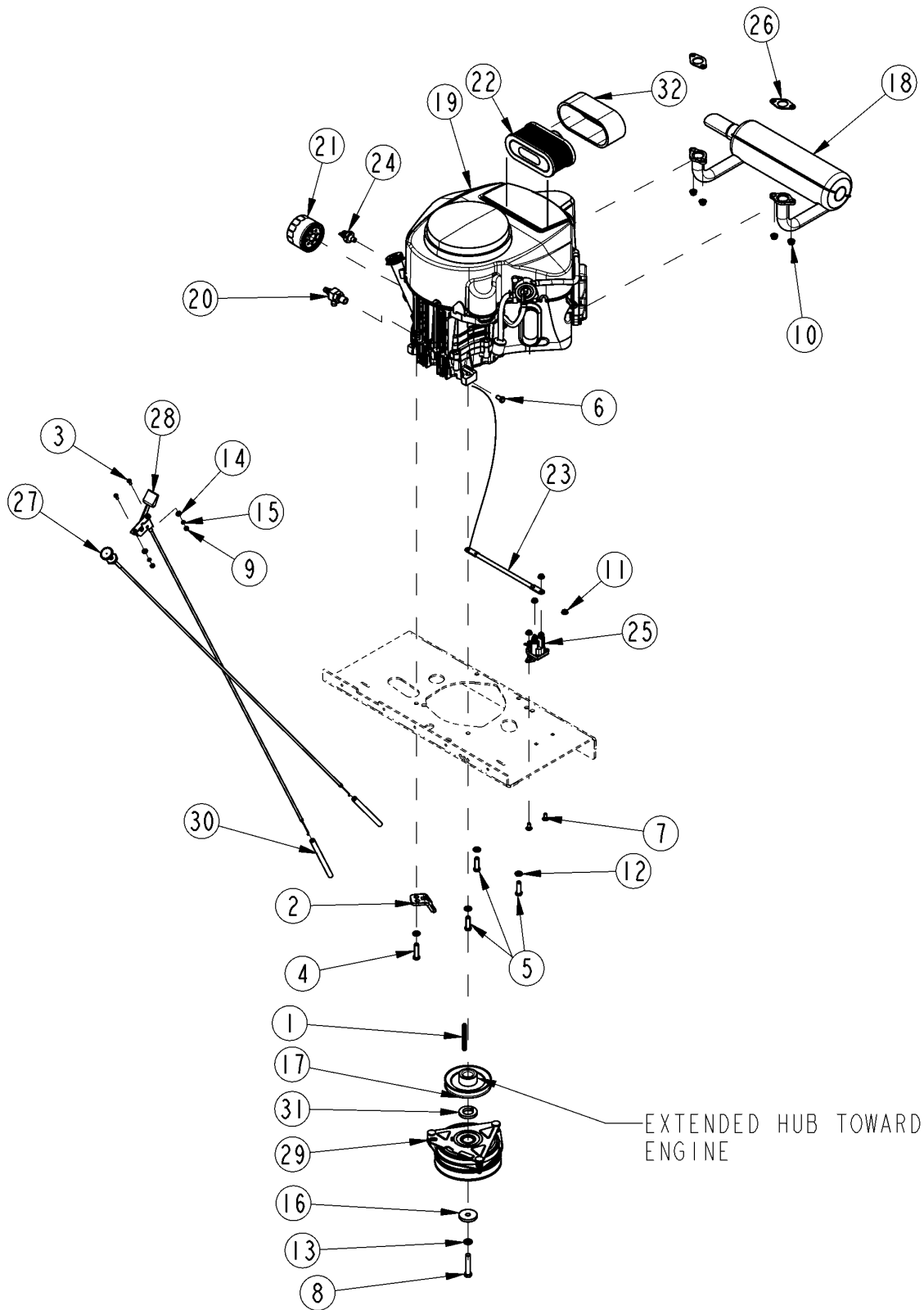
27807

**Engine Assembly Kawasaki 18.5HP****Applies to RAZOR Z48**

Ref	Part No.	Part Description	Comments	Revision
	dwg27807	Drawing Image Number		
1.	357-618D	KEY, 1/4 X 1/4 X 3 LG		
2.	357-619D	BRACKET, CLUTCH CLOCKING		
3.	801-205C	TPHMS Y #10-24 X 1/2 ZNYCR		
4.	802-022C	HHCS 3/8-16X1 1/2 GR5		
5.	802-079C	HHCS 3/8-16X1 1/4 GR5		
6.	802-459C	HHCS M8X1.25X16 GR8.8		
7.	802-633C	RHSNB 1/4-20X5/8 PLT		
8.	802-923C	HHCS 7/16-20X2 1/4 GR8	S/N 659121+	
8.	802-862C	HHCS 7/16-20X2 GR8 PLT	S/N 659120-	
9.	803-001C	NUT HEX 10-24 PLT		
10.	803-220C	NUT HEX FLANGE M8X1.25 PLT		
11.	803-293C	NUT HEX FLG TL 1/4-20 ZNYCR		
12.	804-013C	WASHER LOCK SPRING 3/8 PLT		
13.	804-014C	WASHER LOCK 7/16 PLT		
14.	804-046C	WASHER FLAT #10 SAE PLT		
15.	804-054C	WASHER LOCK #10		
16.	804-231C	WASHER .460 X 1.75 X.25 PLT		
17.	808-402C	PULLEY, 4.5 PD X 1.00 ID A-SEC		
18.	826-637C	MUFFLER 20HP KAW		
19.	826-639C	KAW, FS600V, 18.5HP		
20.	829-128C	VALVE,20MM O-RING OIL DRAIN		
21.	831-073C	FILTER, KAW OIL		
22.	831-074C	FILTER, KAW FS AIR W/CLAMP		
23.	833-556C	SOLENOID, SEALED ENGINE STARTR	S/N 699098+	
23.	833-405C	RPBY 357-509A	S/N 699097-	
24.	833-414C	CABLE, 4GAX10X.25X.31		
25.	833-419C	SWITCH,N.C. OIL PRESSURE		
26.	839-049C	KAW (23) GASKET, MUFFLER		
27.	890-106C	CABLE, 53X.062X1.87 CHOKE		
28.	890-115C	CABLE, 50X.062X2.12 THROTTLE		
29.	891-230C	CLUTCH, 12V HI TORQ BLD BRAKE	S/N 692674+	
29.	891-227C	RPBY 891-230C	S/N 692673-	
29.	890-982C	RPBY 891-227C		
30.	990-249R	HEAT SHIELD, 1/4" I.D.	Sold per Foot	
31.	358-079D	SPACER, ENG PTO, 1 ID, .25 THK	S/N 659121+	
32.	831-099C	PRE FILTER, KAW FS SERIES AIR		

# Engine Assembly Kawasaki 23 HP

Applies to RAZOR Z54



27808

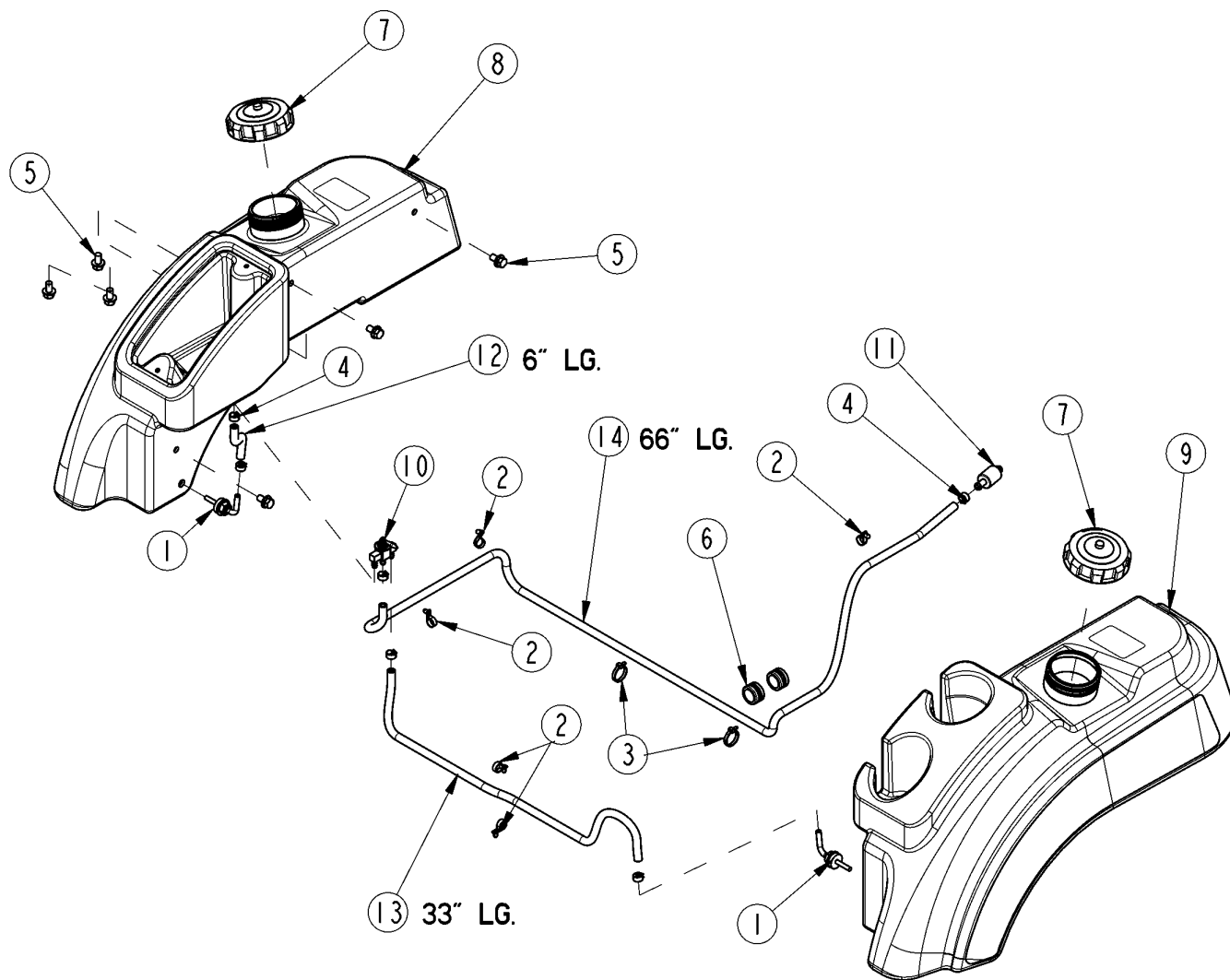


**Engine Assembly Kawasaki 23 HP****Applies to RAZOR Z54**

Ref	Part No.	Part Description	Comments	Revision
	dwg27808	Drawing Image Number		
1.	357-618D	KEY, 1/4 X 1/4 X 3 LG		
2.	357-619D	BRACKET, CLUTCH CLOCKING		
3.	801-205C	TPHMS Y #10-24 X 1/2 ZNYCR		
4.	802-022C	HHCS 3/8-16X1 1/2 GR5		
5.	802-079C	HHCS 3/8-16X1 1/4 GR5		
6.	802-459C	HHCS M8X1.25X16 GR8.8		
7.	802-633C	RHSNB 1/4-20X5/8 PLT		
8.	802-923C	HHCS 7/16-20X2 1/4 GR8	S/N 659121+	
8.	802-862C	HHCS 7/16-20X2 GR8 PLT	S/N 659120-	
9.	803-001C	NUT HEX 10-24 PLT		
10.	803-220C	NUT HEX FLANGE M8X1.25 PLT		
11.	803-293C	NUT HEX FLG TL 1/4-20 ZNYCR		
12.	804-013C	WASHER LOCK SPRING 3/8 PLT		
13.	804-014C	WASHER LOCK 7/16 PLT		
14.	804-046C	WASHER FLAT #10 SAE PLT		
15.	804-054C	WASHER LOCK #10		
16.	804-231C	WASHER .460 X 1.75 X.25 PLT		
17.	808-402C	PULLEY, 4.5 PD X 1.00 ID A-SEC		
18.	826-638C	MUFFLER 26HP KAW		
19.	826-640C	KAW, FS691V, 23HP		
20.	829-128C	VALVE,20MM O-RING OIL DRAIN		
21.	831-073C	FILTER, KAW OIL		
22.	831-074C	FILTER, KAW FS AIR W/CLAMP		
23.	833-414C	CABLE, 4GAX10X.25X.31		
24.	833-419C	SWITCH,N.C. OIL PRESSURE		
25.	833-556C	SOLENOID, SEALED ENGINE STARTR	S/N 699098+	
25.	833-405C	RPBY 357-509A	S/N 699097-	
26.	839-383C	GASKET MUFFLER HONDA 20HP		
27.	890-106C	CABLE, 53X.062X1.87 CHOKE		
28.	890-115C	CABLE, 50X.062X2.12 THROTTLE		
29.	891-230C	CLUTCH, 12V HI TORQ BLD BRAKE	S/N 692674+	
29.	891-227C	RPBY 891-230C	S/N 692673-	
29.	890-982C	RPBY 891-227C		
30.	990-249R	HEAT SHIELD, 1/4" I.D.		
31.	358-079D	SPACER, ENG PTO, 1 ID, .25 THK	S/N 659121+	
32.	831-099C	PRE FILTER, KAW FS SERIES AIR		

### Fuel System S/N 672163-

Applies to RAZOR Z48, RAZOR Z54

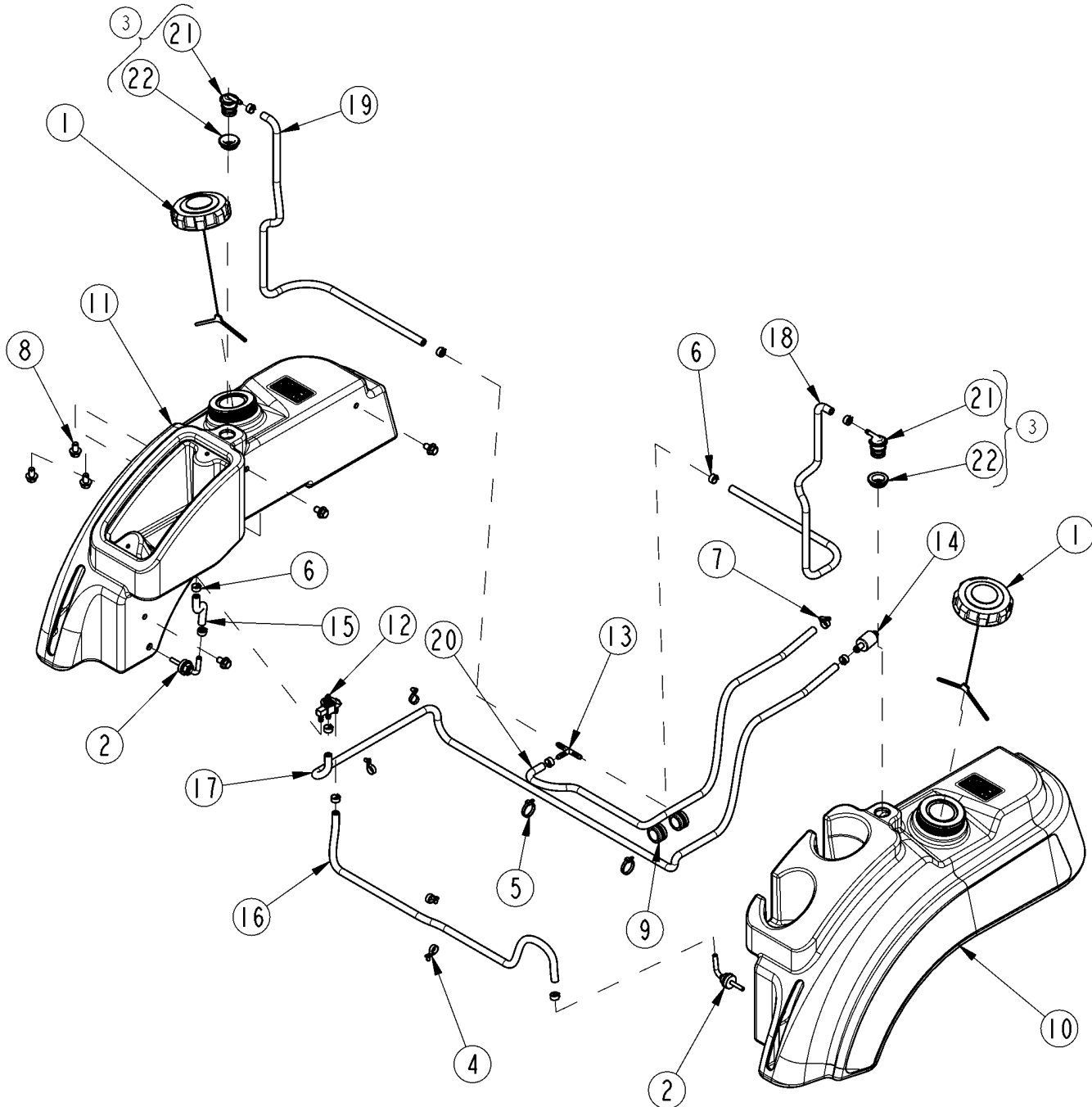


**Fuel System S/N 672163-****Applies to RAZOR Z48, RAZOR Z54**

Ref	Part No.	Part Description	Comments	Revision
	dwg27761	Drawing Image Number		
1.	356-137S	GAS TANK FITTING W/NUT&WASHER		
2.	800-243C	RETAINER PUSHIN, HOSE .56ID		
3.	800-303C	CABLE TIE 2 DIA MIN - BLK		
4.	800-356C	CLAMP PINCH FOR .50 OD HOSE		
5.	802-732C	HFSS 3/8-16X5/8 GR5 ZNYCR		
6.	816-527C	GROMMET,.875X1.25X.25T		
7.	817-630C	CAP, LARGE DIAMETER FUEL		
8.	817-760C	RH FUEL TANK, RED GRAPHICS		
9.	817-761C	LH FUEL TANK, RED GRAPHICS		
10.	829-129C	VALVE,FUEL SELECTOR		
11.	831-035C	FUEL FILTER	Briggs & Stratton	
11.	831-031C	FUEL FILTER	Kawasaki	
12.	990-225R	HOSE RUBBER.25ID/.5 OD SAE30R7		
13.	990-225R	HOSE RUBBER.25ID/.5 OD SAE30R7		
14.	990-225R	HOSE RUBBER.25ID/.5 OD SAE30R7		

# Fuel System S/N 672164+

Applies to RAZOR Z48, RAZOR Z54



30754

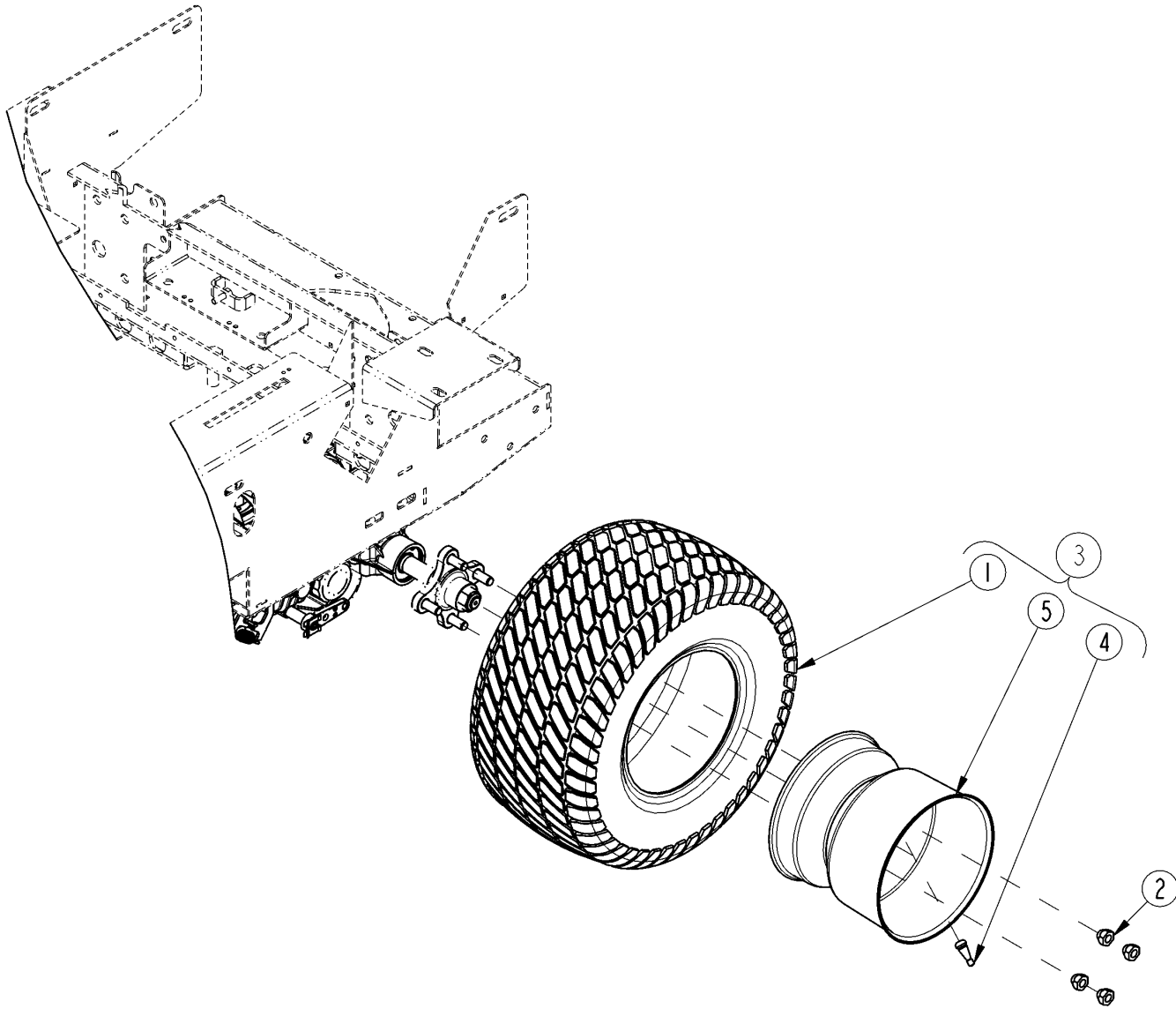
**Fuel System S/N 672164+**

**Applies to RAZOR Z48, RAZOR Z54**

Ref	Part No.	Part Description	Comments	Revision
	dwg30754	Drawing Image Number		
1.	203238	CAP, NON-VENTED FUEL		
2.	356-137S	GAS TANK FITTING W/NUT&WASHER		
3.	357-501A	SV KIT, EPA VALVE & GROMMET		
4.	800-243C	RETAINER PUSHIN, HOSE .56ID		
5.	800-303C	CABLE TIE 2 DIA MIN - BLK		
6.	800-356C	CLAMP PINCH FOR .50 OD HOSE		
7.	800-412C	CLAMP WRM DRV (.21-.63)		
8.	802-732C	HFSS 3/8-16X5/8 GR5 ZNYCR		
9.	816-527C	GROMMET,.875X1.25X.25T		
10.	817-995C	LH FUEL TANK, RED, COMPLIANT	S/N _____+	
10.	817-887C	RPBY 817-995C	S/N _____-	
11.	817-996C	RH FUEL TANK, RED, COMPLIANT	S/N _____+	
11.	817-888C	RPBY 817-996C	S/N _____-	
12.	829-129C	VALVE,FUEL SELECTOR		
13.	830-009C	TEE 1/4HB POLYPROP		
14.	831-035C	FUEL FILTER	Briggs & Stratton	
14.	831-031C	FUEL FILTER	Kawasaki	
15.	990-225R	HOSE RUBBER.25ID/.5 OD SAE30R7	5 1/4" Lg.	
16.	990-225R	HOSE RUBBER.25ID/.5 OD SAE30R7	32" Lg.	
17.	990-225R	HOSE RUBBER.25ID/.5 OD SAE30R7	65" Lg.	
18.	990-225R	HOSE RUBBER.25ID/.5 OD SAE30R7	32" Lg.	
19.	990-225R	HOSE RUBBER.25ID/.5 OD SAE30R7	32" Lg.	
20.	990-225R	HOSE RUBBER.25ID/.5 OD SAE30R7	36" Lg.	
21.	N/A	ROV ASY		
22.	N/A	GROMMET, FUEL TANK FITTING		

# Drive Wheels

Applies to RAZOR Z48, RAZOR Z54



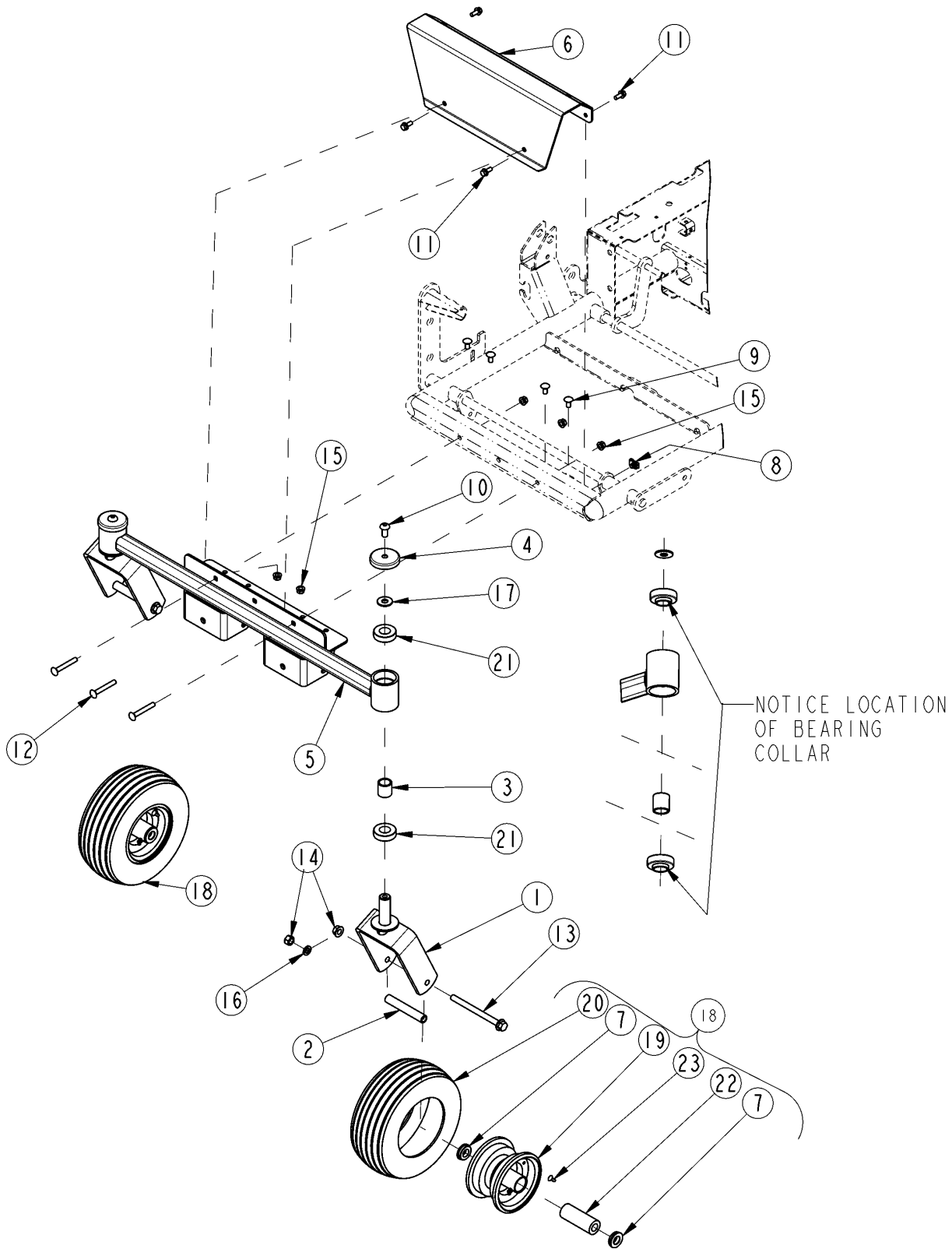
27762

**Drive Wheels****Applies to RAZOR Z48, RAZOR Z54**

<b>Ref</b>	<b>Part No.</b>	<b>Part Description</b>	<b>Comments</b>	<b>Revision</b>
	dwg27762	Drawing Image Number		
1.	814-306C	TURF TIRE 18-8.50		
2.	803-329C	NUT LUG 1/2-20X60DEG PLT(.81AF		
3.	814-270C	TIRE/WHEEL, 18X8.50X8 TURF		
4.	TR-412	T1. VALVE MARTIN		
5.	814-307C	WHEEL-RIM 8.5		

# Front Non-Floating Wheels

Applies to RAZOR Z48, RAZOR Z54



27740

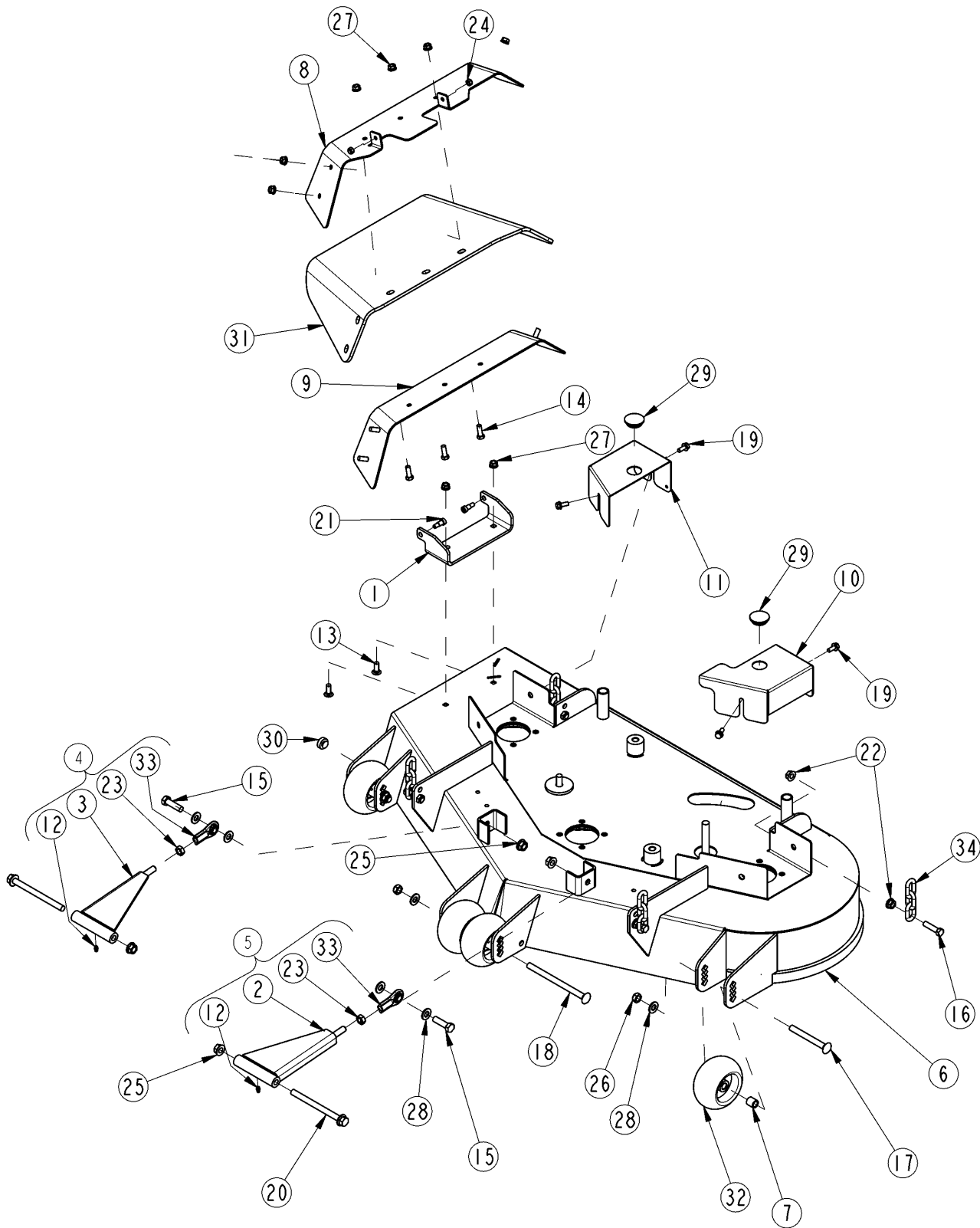


**Front Non-Floating Wheels****Applies to RAZOR Z48, RAZOR Z54**

Ref	Part No.	Part Description	Comments	Revision
	dwg27740	Drawing Image Number		
1.	357-023H	FORK AY, CASTER WHEEL		
2.	357-105D	TUBE, CASTER WHEEL AXLE		
3.	357-111D	SPACER TUBE RD 1.25ODX11GWX1.3		
4.	357-120D	CAP, CASTER SPINDLE HUB		
5.	357-333H	SOLID AXLE WMT, RAZOR		
6.	357-784D	BRACKET, FLOOR PAN ATTACHMENT		
7.	53-164	TILDEN RTNR 3/4IDX1 3/8OD		
8.	800-120C	NUT CLIP U-TYPE 5/16-18		
9.	802-149C	RHSNB 3/8-16X3/4 GR5		
10.	802-371C	HSBHCS 1/2-13X1 GR5 NYL		
11.	802-387C	HFS 5/16-18X3/4 GR5		
12.	802-468C	RHSNB 3/8-16X2 3/4 GR5 PLT		
13.	802-745C	HFS 1/2-13X6 1/8GR5 PLT		
14.	803-169C	NUT HEX FLG LOCK 1/2-13 PLT	S/N 644660+	
14.	803-020C	NUT HEX 1/2-13 PLT	S/N 644659-	
15.	803-209C	NUT FLANGE LOCK 3/8-16 PLT		
16.	804-015C	WASHER LOCK SPRING 1/2 PLT	S/N 644659-	
17.	804-017C	WASHER FLAT 1/2 USS PLT		
18.	814-061C	TIRE/WHEEL AY, 11X4.00-5 RIB		
19.	814-316C	5X3.25 4.375CCL TL		
20.	814-317C	11X4.00-5NHS 4PR RIB		
21.	822-111C	BRG 1.00IDX2.04OD		
22.	822-222C	BRG,.75X1.38X3.75L ROLLER		
23.	TR-412	T1. VALVE MARTIN		

# Deck Assembly

Applies to RAZOR Z48, RAZOR Z54



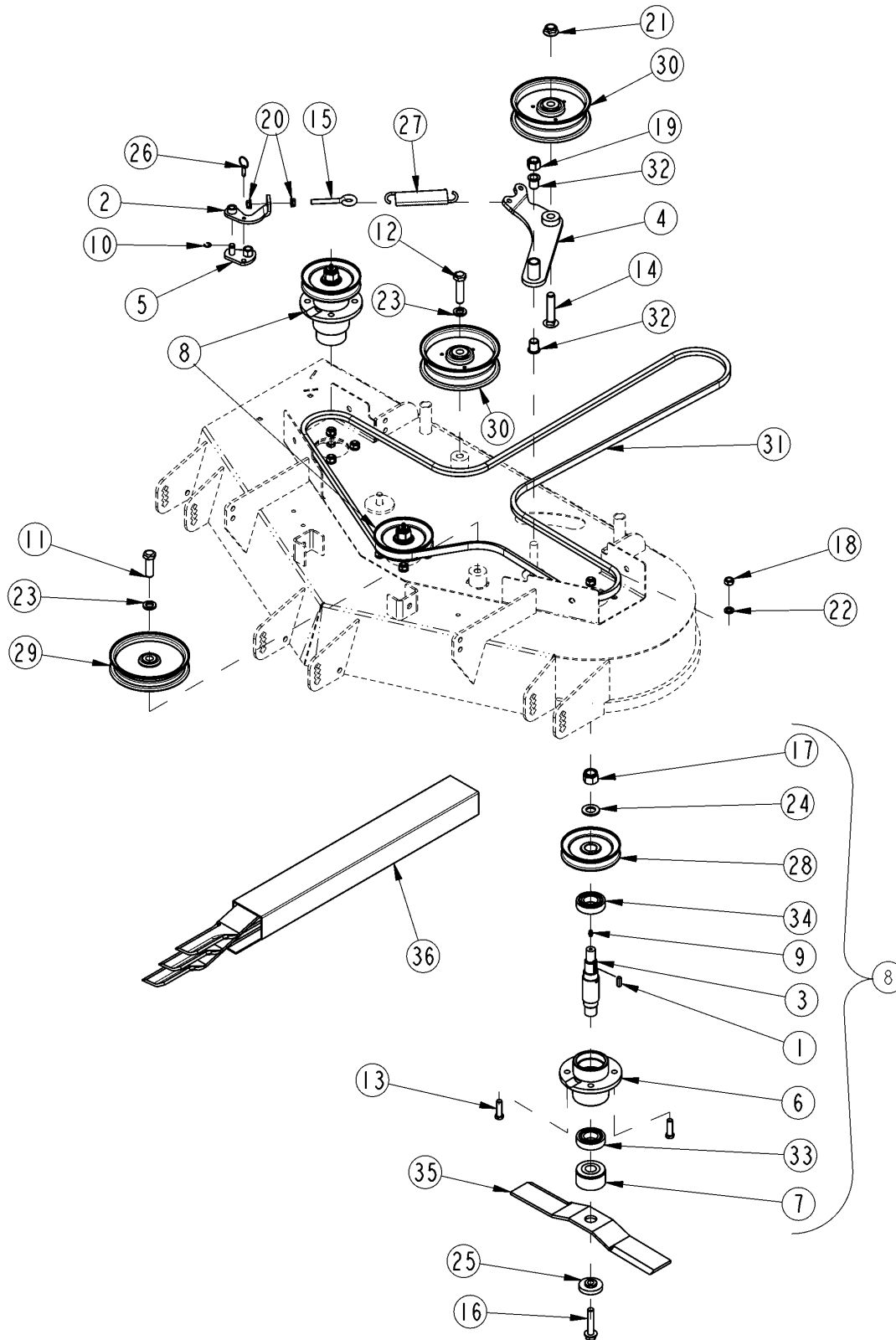
27771

**Deck Assembly****Applies to RAZOR Z48, RAZOR Z54**

<b>Ref</b>	<b>Part No.</b>	<b>Part Description</b>	<b>Comments</b>	<b>Revision</b>
	dwg27771	Drawing Image Number		
1.	357-282D	CHUTE BRACKET		
2.	357-330H	LH STRUT WMT, RAZOR		
3.	357-331H	RH STRUT WMT, RAZOR		
4.	357-334S	RH STRUT ASSY, RAZOR		
5.	357-335S	LH STRUT ASSY, RAZOR		
6.	357-354H	DECK WMT, RAZOR 48	Razor 48	
6.	357-352H	DECK WMT, RAZOR 54	Razor 54	
7.	357-722D	SPACER 3/4OD X 11GA WL X 3/4L		
8.	357-803D	CHUTE BRACKET, TOP		
9.	357-804D	CHUTE BRACKET, BOTTOM		
10.	357-829D	BELT GUARD, RAZOR 48 LH	Razor 48	
10.	357-817D	BELT GUARD, RAZOR 54 LH	Razor 54	
11.	357-830D	BELT GUARD, RAZOR 48 RH	Razor 48	
11.	357-818D	BELT GUARD, RAZOR 54 RH	Razor 54	
12.	800-080C	GREASE ZERK 1/4-28 THD FORMING		
13.	802-015C	RHSNB 3/8-16X1 GR5		
14.	802-017C	HHCS 3/8-16X1 GR5		
15.	802-082C	HHCS 1/2-13X1 3/4 GR5		
16.	802-113C	HHCS 7/16-14X1 3/4 GR5		
17.	802-137C	RHSNB 1/2-13X4 1/2 GR8 PLT		
18.	802-218C	RHSNB 1/2-13X7 1/4 GR5 SPTH		
19.	802-387C	HFS 5/16-18X3/4 GR5		
20.	802-745C	HFS 1/2-13X6 1/8GR5 PLT		
21.	802-794C	SHOULDER BOLT 3/8X1/2X5/16-18		
22.	803-052C	NUT HEX WHIZ 7/16-14 PLT		
23.	803-059C	NUT HEX JAM 1/2-20 PLT		
24.	803-084C	NUT HEX NYLOCK 5/16-18 PLT		
25.	803-169C	NUT HEX FLG. LOCK 1/2-13 PLT.		
26.	803-178C	NUT NYLOCK JAM NUT 1/2-13		
27.	803-209C	NUT FLANGE LOCK 3/8-16 PLT		
28.	804-016C	WASHER FLAT 1/2 SAE PLT		
29.	816-298C	RUBBER PLUG 1 3/8 W/CROSS SLIT		
30.	816-483C	BUMPER, 1.00X.31THK PUSH IN		
31.	816-537C	CHUTE, RUBBER DISCHARGE		
32.	817-581C	WHEEL, ANTI SCALP		
33.	890-058C	GIMBAL, 1/2 ROD END		
34.	890-907C	CHAIN, 5/16 LONG LINK PROOF 3X		

# Deck Pulleys & Drive Belt

Applies to RAZOR Z48, RAZOR Z54



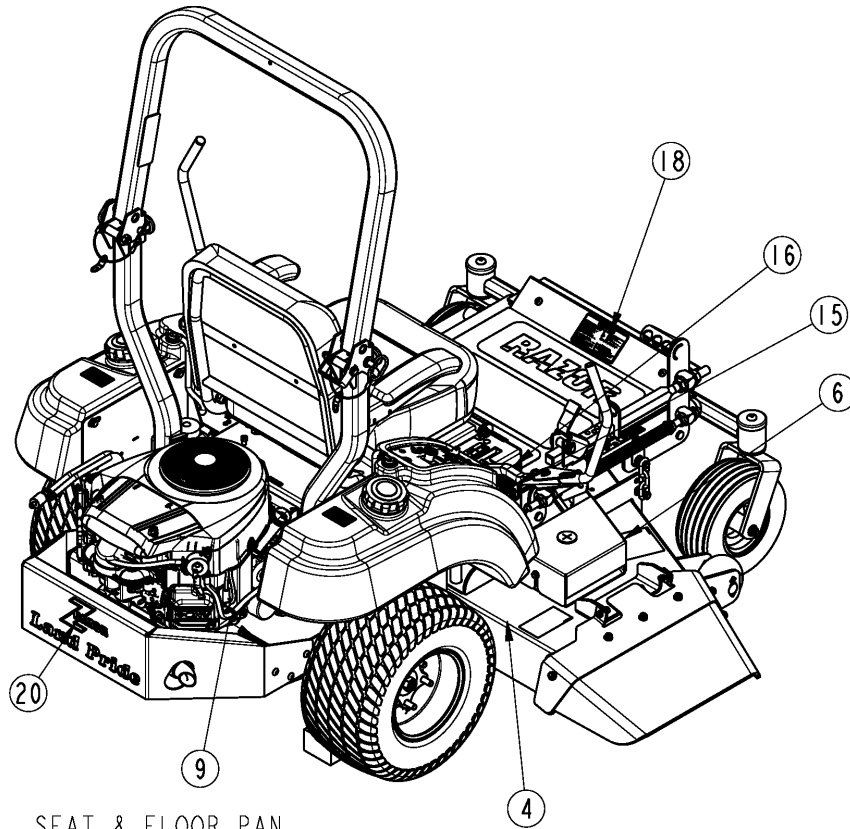
27772

***Deck Pulleys & Drive Belt*****Applies to RAZOR Z48, RAZOR Z54**

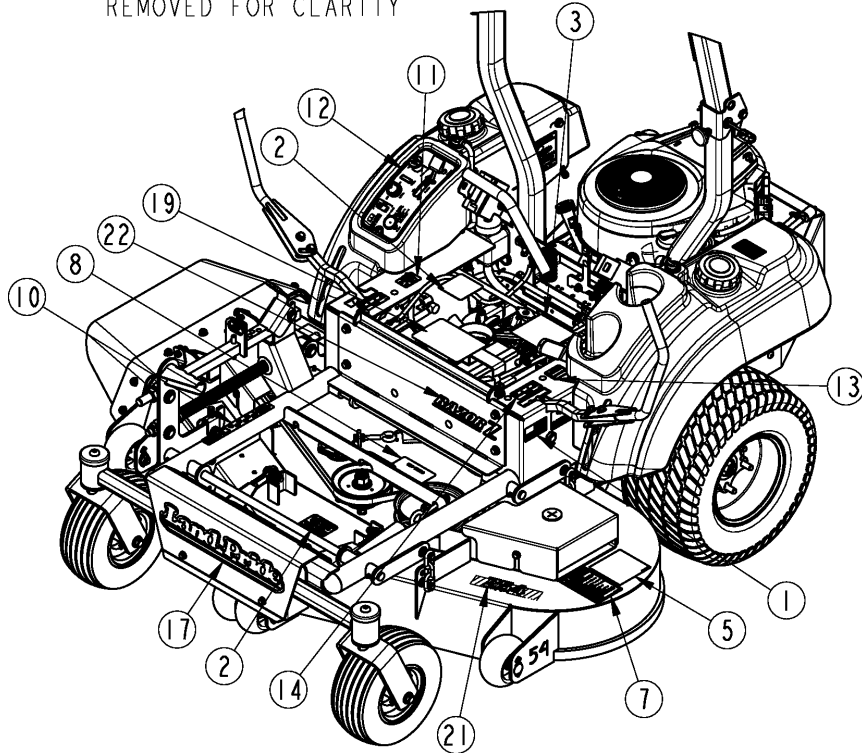
<b>Ref</b>	<b>Part No.</b>	<b>Part Description</b>	<b>Comments</b>	<b>Revision</b>
	dwg27772	Drawing Image Number		
1.	172-242D	1/4 SQ. KEY X 7/8 LG		
2.	310-095H	CW SPRING EYE-BOLT BRACKET		
3.	310-630D	BLADE SPINDLE SHAFT CW TG		
4.	357-024H	LEVER AY, BELT TENSION IDLER		
5.	357-224H	OVER CENTER LATCH-90		
6.	357-279D	BLADE HUB BOTTOM MOUNT		
7.	357-280D	BLADE HUB - 7/8 (PLATED) 1.29T		
8.	357-303S	SPINDLE ASSY, CW TG, 5" PULLEY	Razor 48	
8.	357-234S	SPINDLE ASSY, CW TG, 5.5 PULL	Razor 54	
9.	800-001C	GREASE ZERK STRAIGHT 1/4-28		
10.	800-099C	SNAP RING EXT 7/16		
11.	802-055C	HHCS 5/8-11X2 GR5		
12.	802-058C	HHCS 5/8-11X2 1/2 GR5		
13.	802-229C	HHCS 7/16-20X1 1/2 GR8		
14.	802-338C	RHSNB 5/8-11X3 GR5		
15.	802-567C	SP EYE 3/8-16X 3 7/8		
16.	802-698C	HFS 1/2-20X2 1/2 GR8		
17.	803-114C	NUT LOCK 3/4-16 NYLOC COLLAR		
18.	803-115C	NUT HEX 7/16-20 PLT		
19.	803-119C	NUT LOCK 5/8-18 NYLOK COLLAR P		
20.	803-198C	NUT HEX WHIZ 3/8-16 PLT		
21.	803-263C	NUT HEX FLANGE LOCK 5/8-11 PLT		
22.	804-014C	WASHER LOCK 7/16 PLT		
23.	804-022C	WASHER LOCK SPRING 5/8 PLT		
24.	804-093C	WASHER FLAT 3/4 HARD ASTM F436		
25.	804-110C	WASHER BLADE 2ODX.56THKX.51ID		
26.	805-405C	PIN 1/4 X 1/2 COTTERLESS HITCH		
27.	807-068C	SPRING EXT BELT HANDLE		
28.	808-075C	B-GROOVE PULLEY 5 O.D.	Razor 48	
28.	808-366C	B-GROOVE PULLEY 5.5 OD	Razor 54	
29.	808-129C	FLAT IDLER 6" PULLEY (6 3/4 OD)		
30.	808-414C	FLAT IIDLER PULLEY, 6.75 O.D.		
31.	816-465C	V-BELT, B-SEC. 135.5 EL KEVLAR	Razor 48	
31.	816-784C	V-BELT, B-SEC, EL 146.00	Razor 54 S/N 805681+	
31.	816-639C	RPBY 816-784C	Razor 54 S/N 805680-	
32.	817-028C	DOUBLE DISK ARM PIVOT BUSHINGS		
33.	822-006C	BRG BALL 30IDX62OD 206		
34.	822-161C	BRG 1.18IDX2.44OD 6206 W/SHLD		
35.	890-325C	MWR BLD 1/4X16 7/8SD ML CW	Razor 48 Standard	
35.	890-219C	MWR BLD 1/4X16 7/8SD HL CW	Razor 48 Optional	
35.	890-323C	MWR BLD 1/4X16 7/8SD LL CW	Razor 48 Optional	
35.	890-700C	MWR BLD MULCH 1/4X16.87SD CW	Razor 48 Optional	
35.	890-978C	MWR BLD 1/4X18.77SD MLS CW	Razor 54 Standard	
35.	890-991C	MWR BLD MULCH 1/4X18.77SD CW	Razor 54 Optional	
36.	310-462A	48" MOWER BLADE KIT, LOW LIFT	3 CW Blades per Kit	
36.	310-463A	48" MOWER BLADE KIT, MED. LIFT	3 CW Blades per Kit	
36.	310-464A	48" MOWER BLADE KIT, HIGH LIFT	3 CW Blades per Kit	
36.	310-465A	48" MOWER BLADE KIT, MULCH	3 CW Blades per Kit	
36.	357-630A	54" MOWER BLADE KIT, MED LIFT	3 CW Blades per Kit	
36.	357-631A	54" MOWER BLADE KIT, MULCH	3 CW Blades per Kit	

# Label Placement

Applies to RAZOR Z48, RAZOR Z54



SEAT & FLOOR PAN  
REMOVED FOR CLARITY



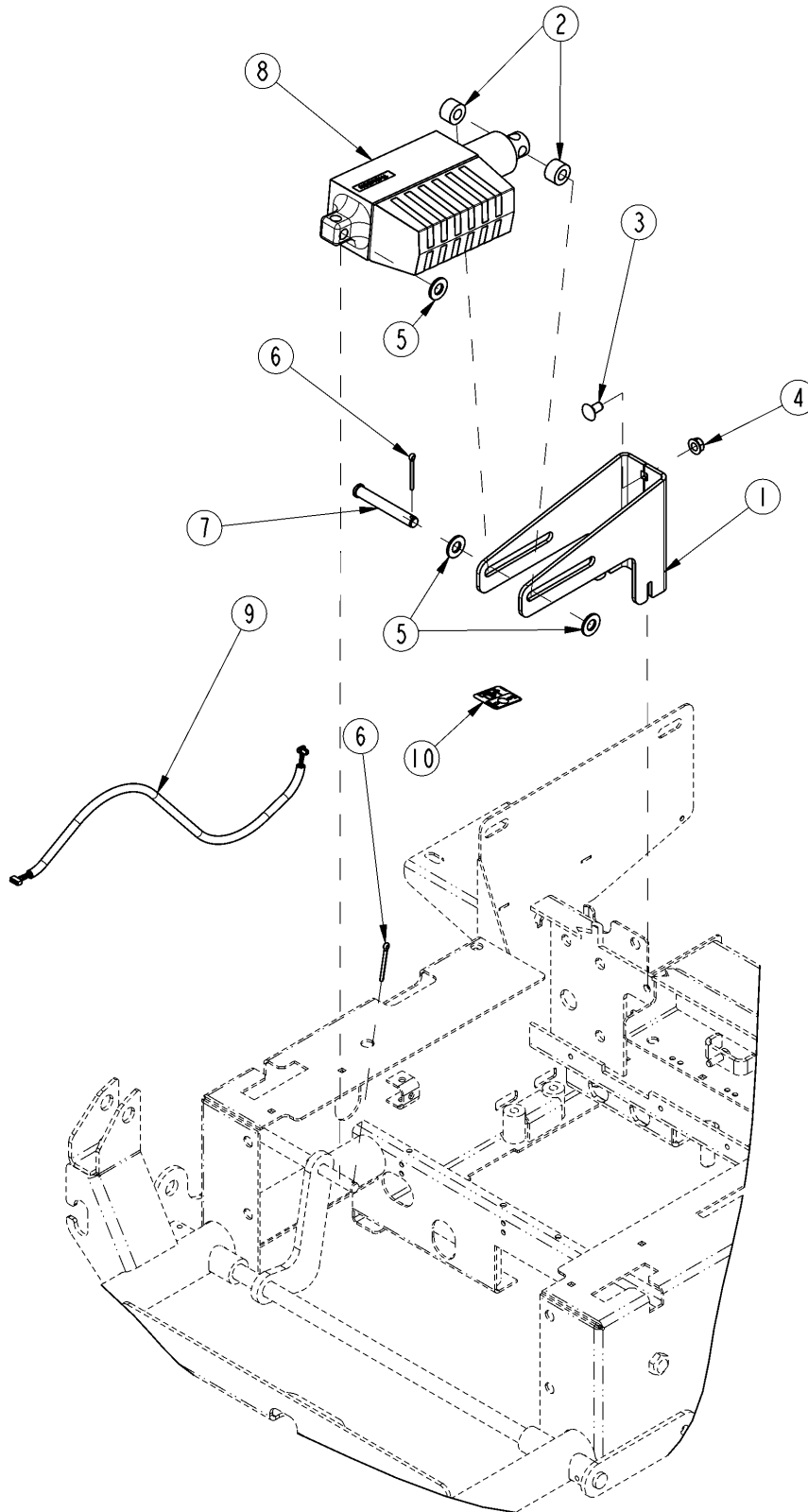
27773

**Label Placement****Applies to RAZOR Z48, RAZOR Z54**

<b>Ref</b>	<b>Part No.</b>	<b>Part Description</b>	<b>Comments</b>	<b>Revision</b>
	dwg27773	Drawing Image Number		
1.	818-190C	DECAL FLAG		
2.	818-543C	DECAL DANGER PD GUARD MISS SML		
3.	838-303C	DECAL DANGER BATTERY		
4.	838-306C	DECAL WARNING DO NOT OPERATE		
5.	838-307C	DECAL MOVING PART HAZARD		
6.	838-308C	DECAL ROTATING BLADE HAZARD		
7.	838-310C	DECAL WARNING GEN SAFE MOWER		
8.	838-328C	DECAL BELT ROUTING Z60		
9.	838-444C	DECAL DANGER HOT		
10.	838-457C	DECAL DECK CUTTING HEIGHT RZR		
11.	838-785C	DECAL FUEL SELECTOR 3 WAY		
12.	838-811C	DECAL, RAZOR 2 CONTROL PANEL		
13.	838-812C	DECAL, PARK LEVER OPERATION		
14.	838-814C	DECAL, STEERING CONTROL		
15.	838-815C	DECAL, ROLLOVER HAZARD		
16.	838-829C	DECAL, CAUTION DO NOT PWR WASH		
17.	838-965C	DECAL LANDPRIDE 16" BROWN/GOLD		
18.	848-268C	DECAL, ZXT OPERATING		
19.	848-389C	DECAL, RAZOR SERVICE PARTS		
20.	848-453C	DECAL, RAZOR Z GOLD/RED		
21.	848-454C	DECAL, Z48		
21.	848-455C	DECAL, Z54		
22.	848-456C	DECAL, RAZOR Z GOLD/BLACK		

# Deck Lift Electric

Applies to RAZOR Z48, RAZOR Z54



27792



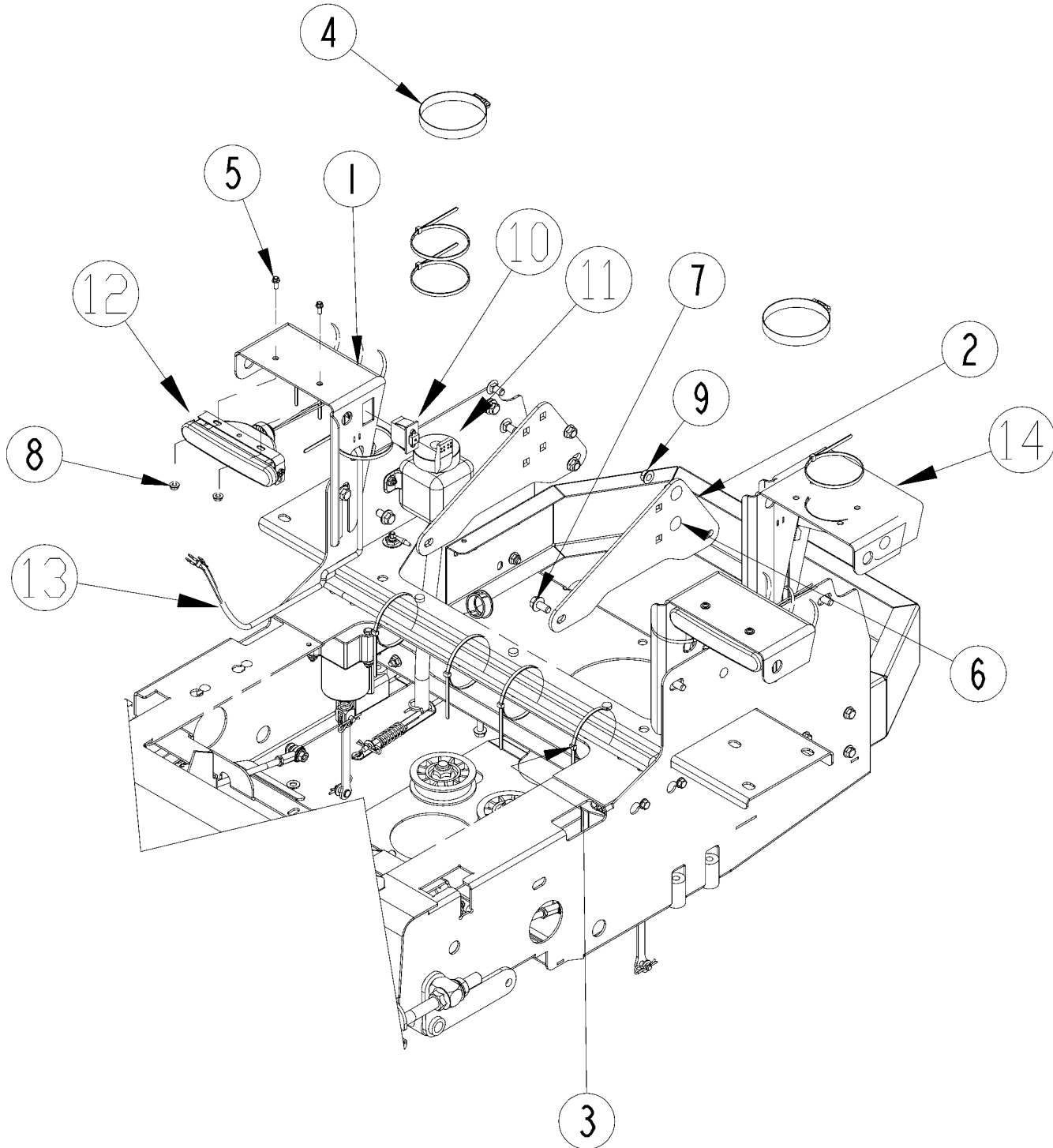
**Deck Lift Electric****Applies to RAZOR Z48, RAZOR Z54**

<b>Ref</b>	<b>Part No.</b>	<b>Part Description</b>	<b>Comments</b>	<b>Revision</b>
	dwg27792	Drawing Image Number		
	357-371A	ELECTRIC DECK LIFT KIT, RAZOR *		
1.	357-370H	ELEC DECK LIFT BRACKET		
2.	357-859D	SPACER, 1ODX1/4WL		
3.	802-149C	RHSNB 3/8-16X3/4 GR5		
4.	803-068C	NUT HEX FLANGE 3/8-16 PLT		
5.	804-016C	WASHER FLAT 1/2 SAE PLT		
6.	805-089C	PIN COTTER 5/32 X 1 1/2 LONG		
7.	805-108C	PIN CLEVIS 1/2 X 3 1/2 PLT		
8.	833-466C	ELECT. LINEAR ACTUATOR 4IN STK		
9.	833-490C	HARNESSELECTRIC DECK LIFT		
10.	848-290C	DECAL, DECK LIFT, UP DOWN	Located by the Deck Cutting Height Decal	

### Light Kit Z-Mowers

Applies to RAZOR Z48, RAZOR Z54

USED ONLY WHEN  
MOUNTING TO ROPS



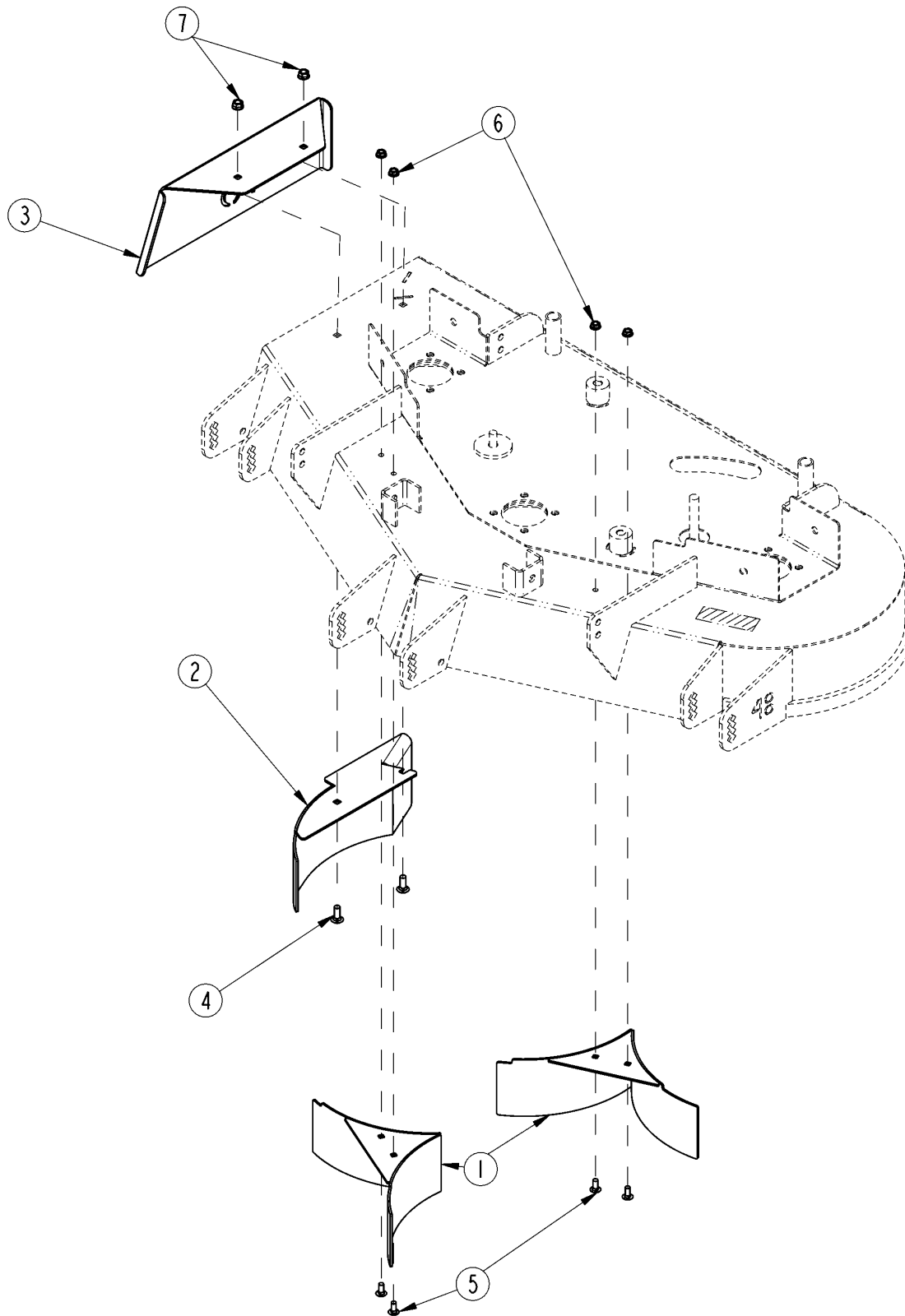
33569

**Light Kit Z-Mowers****Applies to RAZOR Z48, RAZOR Z54**

<b>Ref</b>	<b>Part No.</b>	<b>Part Description</b>	<b>Comments</b>	<b>Revision</b>
	dwg33569 357-160A	Drawing Image Number LIGHT KIT, Z-MOWER *		
1.	357-450D	LIGHT BRCKT RH, Z MOWER		
2.	357-634D	ADAPTER PLATE LIGHT KIT		
3.	800-060C	CABLE TIE .19X14.25 3DIA 50LB		
4.	800-241C	CLAMP WRM DRV #48SS (1.63-3.5)		
5.	802-148C	HFSS 1/4-20X1/2 GR5		
6.	802-149C	RHSNB 3/8-16X3/4 GR5		
7.	802-185C	HFSS 3/8-16X3/4 LG		
8.	803-088C	NUT HEX LOCK 1/4-20 FLG		
9.	803-209C	NUT FLANGE LOCK 3/8-16 PLT		
10.	833-269C	SWITCH ROCKER SPST		
11.	833-271C	SWITCH ACTUATOR		
12.	833-275C	HEADLIGHT		
13.	833-444C	WIRE HARNESS,LIGHT KIT Z-MOWER		
14.	357-461D	LIGHT BRCKT LH, Z MOWER		

# Mulch Kit

Applies to RAZOR Z48, RAZOR Z54



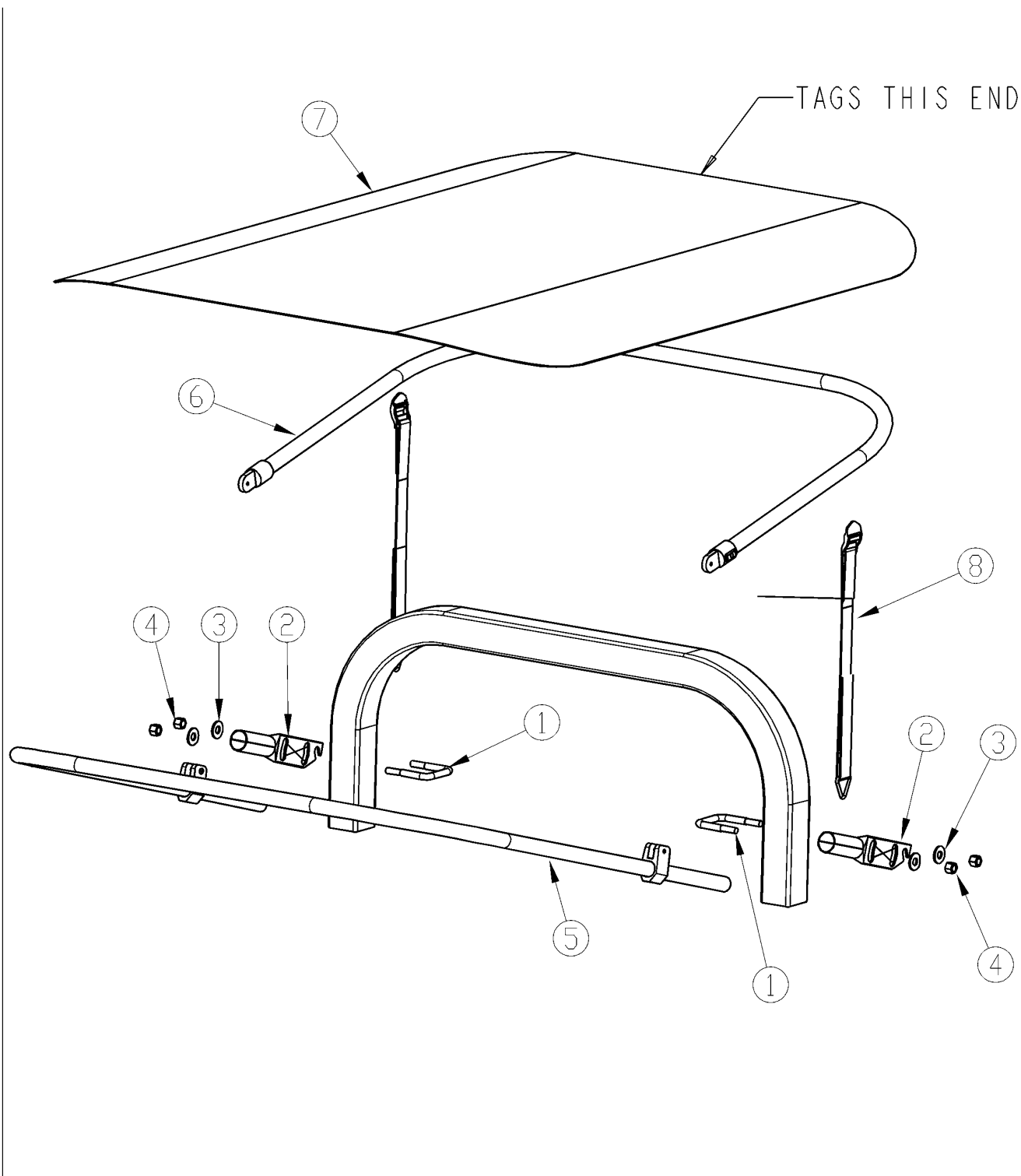
27791

**Mulch Kit****Applies to RAZOR Z48, RAZOR Z54**

<b>Ref</b>	<b>Part No.</b>	<b>Part Description</b>	<b>Comments</b>	<b>Revision</b>
	dwg27791	Drawing Image Number		
	357-364A	MULCH KIT, 48 IN RAZOR		
	357-361A	MULCH KIT, 54 IN RAZOR		
		*		
1.	357-362H	MULCH BAFFLE, 48 IN, RAZOR		
1.	357-359H	MULCH BAFFLE, 54 IN, RAZOR		
2.	357-363H	MULCH PLUG, 48 IN, RAZOR		
2.	357-360H	MULCH PLUG, 54 IN, RAZOR		
3.	357-938D	MULCH PLUG COVER, 48, Z		
3.	357-939D	MULCH PLUG COVER, 54		
4.	802-015C	RHSNB 3/8-16X1 GR5		
5.	802-092C	RHSNB 5/16-18X3/4 GR5		
6.	803-043C	NUT HEX WHIZ 5/16-18 PLT		
7.	803-209C	NUT FLANGE LOCK 3/8-16 PLT		

# Soft Top Canopy

Applies to RAZOR Z48, RAZOR Z54



33570

## Soft Top Canopy

---

### Applies to RAZOR Z48, RAZOR Z54

Ref	Part No.	Part Description	Comments	Revision
	dwg33570 357-194A	Drawing Image Number ZT SOFT TOP SUN CANOPY GREY *		
1.	3-18000	U-BOLT SQ. 2X3X2		
2.	3-18713	TUBE MOUNTING 2" ROTATE		
3.	3-10086	3/8 WASHER		
4.	3-10073	3/8 NYLOCK		
5.	3-18638	TUBE FRONT HINGED		
6.	3-18641	TUBE REAR HINGED		
7.	3-18642	COVER FABRIC GREY		
8.	3-18644	STRAP ASSEMBLY		



# Part Number Index

The Part Number Index is a numeric index of all part numbers included in this manual. The index shows what page(s) the part is used on.

Part Number	Page	Part Number	Page	Part Number	Page	Part Number	Page
172-242D	53	357-364A	61	802-022C	39, 41	803-198C	21, 53
203238	45	357-370H	57	802-024C	19	803-199C	23
230024700	11	357-371A	57	802-039C	11	803-209C	7, 17, 49, 51, 59, 61
230321672	11	357-403D	19	802-042C	11	803-214C	21
3-10073	63	357-420A	11	802-055C	33, 53	803-220C	39, 41
3-10086	63	357-450D	59	802-058C	53	803-230C	13, 15, 19
3-18000	63	357-455D	33	802-079C	39, 41	803-263C	33, 53
3-18638	63	357-461D	59	802-082C	51	803-270C	33
3-18641	63	357-501A	45	802-092C	13, 15, 23, 61	803-275C	21
3-18642	63	357-618D	35, 37, 39, 41	802-099C	11	803-293C	33, 35, 37, 39, 41
3-18644	63	357-619D	35, 37, 39, 41	802-113C	21, 51	803-326C	23
3-18713	63	357-630A	53	802-137C	51	803-329C	33, 47
310-095H	53	357-631A	53	802-148C	59	803-333C	11
310-462A	53	357-634D	59	802-149C	7, 49, 57, 59	804-006C	23
310-463A	53	357-722D	51	802-155C	17	804-007C	23, 33
310-464A	53	357-728D	17	802-179C	21	804-012C	19
310-465A	53	357-729D	23	802-185C	13, 15, 59	804-013C	39, 41
310-630D	53	357-756D	19	802-190C	35, 37	804-014C	35, 37, 39, 41, 53
356-074D	13, 15	357-759D	17	802-218C	51	804-015C	49
356-137S	43, 45	357-781D	21	802-225C	33	804-016C	13, 15, 21, 51, 57
357-001H	21	357-783D	13, 15	802-227C	11	804-017C	49
357-002D	21	357-784D	49	802-229C	53	804-019C	21
357-002H	19	357-803D	51	802-232C	23	804-021C	19
357-009H	21	357-804D	51	802-257C	23	804-022C	53
357-014D	23	357-817D	51	802-258C	13, 15	804-036C	13, 15, 17, 19, 23
357-019D	21	357-818D	51	802-270C	35, 37	804-041C	11
357-020D	21	357-829D	51	802-338C	53	804-046C	35, 37, 39, 41
357-021D	21	357-830D	51	802-371C	49	804-054C	17, 35, 37, 39, 41
357-023H	49	357-851D	19	802-387C	49, 51	804-056C	13, 15
357-024H	53	357-852D	13, 15	802-431C	7	804-093C	53
357-042H	19	357-855D	29	802-439C	33	804-110C	53
357-089S	21	357-859D	57	802-459C	39, 41	804-156C	21
357-105D	49	357-938D	61	802-468C	49	804-221C	35, 37
357-111D	49	357-939D	61	802-567C	53	804-231C	35, 37, 39, 41
357-112D	23	358-079D	35, 37, 39, 41	802-568C	7	805-010C	33
357-120D	49	358-108D	9	802-569C	19	805-063C	17
357-149D	21	358-399D	33	802-633C	13, 15, 19, 29, 33, 35, 37, 39, 41	805-089C	57
357-160A	59	52027	31	802-674C	21	805-106C	21
357-179D	7	52639	31	802-698C	53	805-108C	57
357-181D	33	53-164	49	802-732C	43, 45	805-307C	33
357-184L	33	53019	31	802-745C	49, 51	805-400C	17
357-186V	7	53699	31	802-747C	13, 15	805-405C	53
357-194A	63	711935272	11	802-794C	13, 15, 51	807-068C	53
357-224H	53	71410	31	802-814C	21	807-096C	15
357-234S	53	71446	31	802-862C	35, 37, 39, 41	807-113C	21
357-239H	7	72124	31	802-889C	19	807-119C	17
357-240S	7	800-001C	53	802-923C	35, 37, 39, 41	807-221C	13
357-279D	53	800-060C	59	803-001C	17, 35, 37, 39, 41	807-240C	21
357-280D	53	800-080C	21, 51	803-008C	35, 37	807-244C	17
357-282D	51	800-099C	53	803-011C	13, 15	807-280C	19
357-303S	53	800-120C	19, 49	803-012C	21	807-288C	13, 15
357-314H	13, 15	800-234C	21	803-019C	11	808-075C	53
357-315H	13, 15	800-241C	59	803-020C	49	808-129C	53
357-316H	33	800-243C	43, 45	803-043C	61	808-366C	53
357-317H	7, 9	800-303C	27, 43, 45	803-052C	21, 51	808-375C	33
357-322H	19	800-321C	33	803-059C	51	808-402C	35, 37, 39, 41
357-324H	17	800-356C	43, 45	803-068C	7, 9, 57	808-414C	53
357-325S	33	800-383C	19	803-078C	19	814-061C	49
357-330H	51	800-412C	45	803-084C	13, 15, 19, 23, 51	814-270C	47
357-331H	51	801-031C	23	803-088C	29, 59	814-306C	47
357-333H	49	801-078C	7, 9	803-094C	19	814-307C	47
357-334S	51	801-198C	23	803-114C	53	814-316C	49
357-335S	51	801-202C	13, 15	803-115C	53	814-317C	49
357-352H	51	801-205C	35, 37, 39, 41	803-119C	53	816-298C	51
357-354H	51	801-225C	17	803-148C	19, 33	816-461C	19
357-359H	61	802-010C	19	803-169C	7, 13, 15, 49, 51	816-465C	53
357-360H	61	802-012C	35, 37	803-177C	33, 35, 37	816-483C	51
357-361A	61	802-013C	35, 37	803-178C	51	816-527C	43, 45
357-362H	61	802-015C	51, 61	803-196C	21	816-537C	51
357-363H	61	802-017C	51				





## Part Number Index (continued)

Part Number	Page	Part Number	Page	Part Number	Page
816-616C	33	833-504C	29	dwg27791	61
816-639C	53	833-506C	27	dwg27792	57
816-779C	33	833-507C	25	dwg27797	37
816-784C	53	833-556C	35, 37, 39, 41	dwg27799	11
817-028C	19, 33, 53	838-303C	55	dwg27807	39
817-033C	21	838-306C	55	dwg27808	41
817-246C	17	838-307C	55	dwg27824	27
817-560C	13, 15, 17	838-308C	55	dwg27878	31
817-581C	51	838-310C	55	dwg30035	15
817-618C	19	838-328C	55	dwg30711	9
817-630C	43	838-444C	55	dwg30754	45
817-631C	21	838-457C	55	dwg33569	59
817-749C	33	838-785C	55	dwg33570	63
817-755C	19	838-811C	55	N/A	11, 23, 45
817-760C	43	838-812C	55	TR-412	47, 49
817-761C	43	838-814C	55		
817-887C	45	838-815C	55		
817-888C	45	838-829C	55		
817-995C	45	838-965C	55		
817-996C	45	839-049C	39		
818-190C	55	839-148C	13, 15		
818-543C	55	839-320C	13, 15		
822-006C	53	839-383C	41		
822-111C	49	839-385C	13, 15		
822-161C	53	839-411C	13, 15		
822-222C	49	839-416C	13, 15		
823-302C	11	839-971C	13, 15		
823-391C	11	840-262C	13, 15		
826-535C	35, 37	840-272C	11		
826-543C	35	840-310C	13, 15		
826-544C	37	848-268C	55		
826-620C	35, 37	848-290C	57		
826-637C	39	848-389C	55		
826-638C	41	848-453C	55		
826-639C	39	848-454C	55		
826-640C	41	848-455C	55		
826-727C	35	848-456C	55		
826-728C	37	890-058C	51		
829-127C	35, 37	890-106C	35, 37, 39, 41		
829-128C	39, 41	890-115C	35, 37, 39, 41		
829-129C	43, 45	890-219C	53		
830-009C	45	890-323C	53		
831-031C	43, 45	890-325C	53		
831-035C	43, 45	890-700C	53		
831-053C	35, 37	890-907C	21, 51		
831-054C	35, 37	890-947C	35, 37		
831-060C	31	890-950C	33		
831-069C	31, 33	890-957C	19		
831-070C	31, 33	890-978C	53		
831-073C	39, 41	890-982C	35, 37, 39, 41		
831-074C	39, 41	890-991C	53		
831-099C	39, 41	891-140C	19		
833-019C	23	891-227C	35, 37, 39, 41		
833-269C	59	891-230C	35, 37, 39, 41		
833-271C	59	990-225R	43, 45		
833-275C	59	990-249R	35, 37, 39, 41		
833-336C	23	dwg27740	49		
833-341C	17	dwg27743	13		
833-342C	23	dwg27744	7		
833-350C	23	dwg27745	19		
833-351C	23	dwg27746	21		
833-352C	23	dwg27748	23, 29		
833-405C	35, 37, 39, 41	dwg27749	17		
833-414C	35, 37, 39, 41	dwg27752	33		
833-419C	39, 41	dwg27761	43		
833-444C	59	dwg27762	47		
833-457C	23	dwg27771	51		
833-465C	27	dwg27772	53		
833-466C	57	dwg27773	55		
833-490C	57	dwg27788	35		
833-503C	19	dwg27789	25		



Great Plains Manufacturing, Inc.

Corporate Office: P.O. Box 5060  
Salina, Kansas 67402-5060 USA

[www.landpride.com](http://www.landpride.com)

---